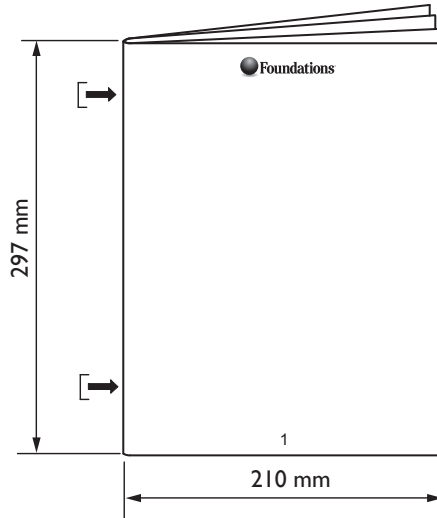


This page is for printing and document formatting specifications only. THIS PAGE DOES NOT PRINT



DO NOT scale the artwork for printing. Each page has been scaled for proper scaling of parts.

Page 1 will be the cover page and first page printed after this specification page. Any blank pages needed will be placed at the end of the booklet.

Printer to arrange booklet pages in proper sequence according to page number.

Revisions

A. Initial release RMK

B. Corrections for name chg ACN091 LMH; 3/17/20 added second model number no rev bump LMH

C. Added two new skus to the AI per ACN262

D. Removed Discontinued SKUs, Added new SKUs. Updated phone number, logo and URL per ACN385 NAB 05/26/2026

GAGGLE®

5216 Portside Dr, Medina, OH 44256 USA
PH: 1 234.400.0724 • FAX: 1 330.722.5037
gogagglego.com

IMPORTANT - READ CAREFULLY AND KEEP FOR FUTURE REFERENCE

Gaggle® Compass™ Trio Stroller

Models Covered: 9909032, 4130XX9

**FOR CUSTOMER SERVICE CALL
1-234-400-0724. DO NOT CALL RETAILER
OR RESELLER FOR SERVICE AS THEY
ARE NOT AUTHORIZED TO RESOLVE ANY
SERVICE ISSUES.**

**FOR WARRANTY AND FEDERAL SAFETY STANDARD
COMPLIANCE CERTIFICATES, PLEASE VISIT OUR
WEBSITE AT gogagglego.com**

ASSEMBLY ASSISTANCE

IMPORTANT: Retain for future reference. Read carefully.

Gaggle® strives for the highest quality in our products but occasionally a missing part or problem can occur during assembly. If any parts are missing or broken or you need assistance with assembly, DO NOT return the product to your dealer. Go to our website at: gogagglego.com or call Gaggle® for assistance at 1-234-400-0724 (Monday through Friday, 9:00 a.m.– 4:00 p.m. Eastern Time). Please have the model number and manufacture date available when you call or write us at:

Gaggle® Strollers Foundations Worldwide, Inc.
5216 Portside Dr. Medina, OH. 44256

ASSEMBLY INSTRUCTIONS

- Adult assembly required.
- Read all instructions BEFORE assembly and USE of product.
- Unpack carton, remove packing materials, including polybag. Identify and check all parts.



Color and Style May Vary

Record the information for your product here found on the frame tube.

Model Number: _____

Manufacture Date: _____

PO Number: _____



WARNING



**This stroller is for use of not more than 3 children
For use with children whose weight is 40lbs max. as tested per US Requirement 16 CFR
1227, and 15 kg max as tested per EU requirement BS EN 1888
For use with children whose height is 45 inches, (114 cm) or less.
Children MUST be buckled in the seats with harness properly adjusted.**

AB20370D

Table of Contents

Table of Contents	2
Warnings	3
Assembly instructions	
Tools and parts.....	4
Step 1- Unfolding Stroller for Assembly.....	5
Step 2 - Front Wheel Assembly.....	6
Step 3 - Rear Wheel Assembly.....	6
Step 4 - Front and Center Canopy Assembly.....	7
Step 5 - Rear Canopy Assembly.....	7
Step 6 - Arm bar Assembly.....	8
Stroller operation and Use	
Unfolding and Folding Stroller.....	8
Securing Children in Stroller.....	10
Seat Back Recline Adjustment.....	11
Parking Brake Operation.....	12
Front Wheel Swivel Lock Operation.....	12
Canopy Operation.....	14
Storage Access.....	14
Front Footrest Operation.....	15
Cup holder Assesory.....	15
Stroller maintenance	
Cleaning.....	16



WARNING



Failure to follow these warnings and assembly instructions could result in serious injury or death.

Avoid Serious Injury To Children From Falling Or Sliding Out:

- **ALWAYS** use harness to restrain each child.
- Snugly adjust harness around each child.
- **NEVER** leave children unattended, even when sleeping. Always keep children in view.
- **DO NOT** allow children to climb on stroller or stand in seat.

Avoid Serious Injury To Children:

- **DO NOT** let your child play with this product.
- This seat unit is not suitable for children under 6 months.
- This product is not suitable for running or skating.
- **DO NOT** allow children to sit or stand in storage basket.
- Use caution when pushing stroller near traffic or in highly congested areas.
- **DO NOT** use stroller on stairs or escalators with children in it.
- **DO NOT** lift stroller by arm bar.

Avoid Loss Of Control Of Stroller:

- **ALWAYS** use front wheel swivel locks when pushing stroller on uneven terrain.
- Use caution when pushing stroller on uneven terrain or hills.
- **ALWAYS** set parking brake when the stroller is stopped.
- **NEVER** leave stroller unattended on a hill or incline even when parking brake is set.

Avoid Injury From Stroller Tipping Over:

- **DO NOT** allow children to climb into stroller unassisted, or to play or hang onto stroller.
- **DO NOT** overload stroller as it can become unstable.
- **DO NOT** carry more than one child per seat.
- **DO NOT** place extra parcels or goods in or on the stroller.
- **DO NOT** add package carrying accessories or hang items from stroller.
- **DO NOT** place more than 15 lbs. (6.7kg) in storage basket.
- **ALWAYS** distribute weight as evenly as possible on each side of the stroller.

Avoid Pinch Injury:

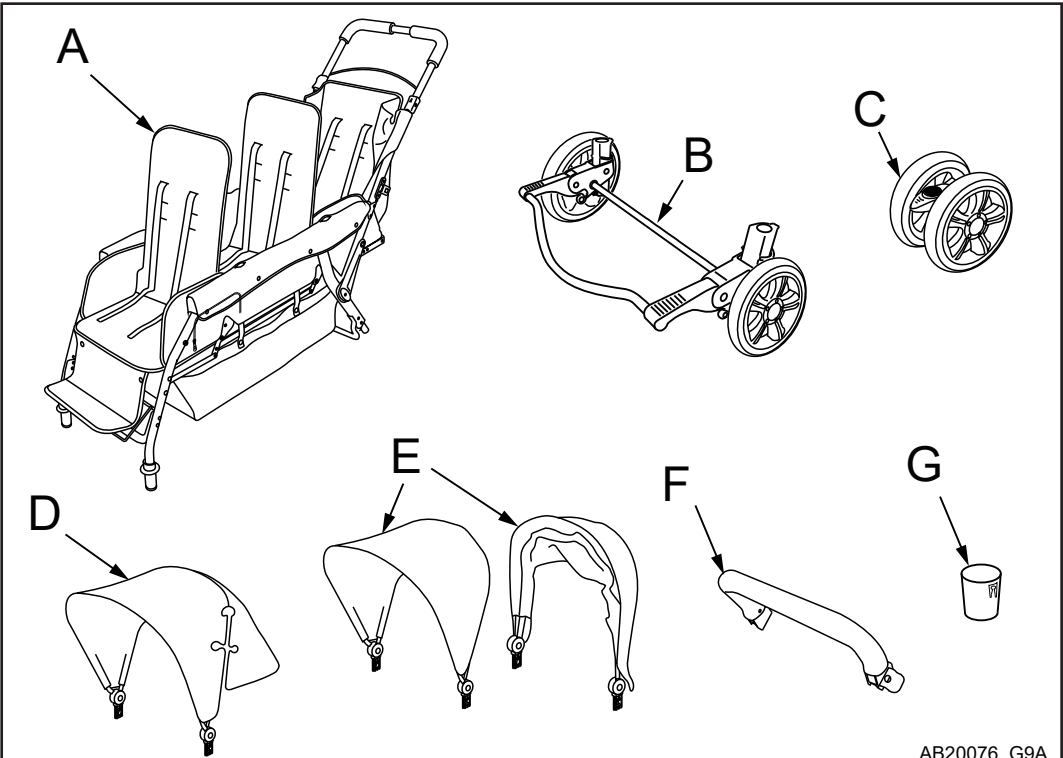
- Keep fingers clear of hinged joints when folding and unfolding stroller.
- When making adjustments, always ensure all children's body parts are clear of any moving parts.
- To avoid injury ensure that your child is kept away when unfolding and folding this product.

⚠ WARNING ⚠

- **Choking Hazard - Stroller assembly hardware includes small parts. Keep small parts away from children.**
- **Plastic bags can cause suffocation. Keep plastic bag away from children. Remove and discard plastic bags.**
- **Pinch Hazard - Keep hands clear of moving parts during assembly, folding and unfolding.**
- **Accessories not included or approved by Gaggle® must not be used.**

PARTS LIST

Part Description	Quantity
A. Stroller Frame Assembly	1
B. Rear Wheel and Brake Assembly	1
C. Front Wheel Assembly	2
D. Rear Canopy	1
E. Front and Center Canopy	2
F. Arm Bar	1
G. Cup Holder	1



AB20076 G9A

--- STROLLER ASSEMBLY ---

STEP 1 Unfolding Stroller

Unfolding stroller for assembly.

Place Stroller Frame Assembly (A) on a clean floor with handle tube and seats on top.

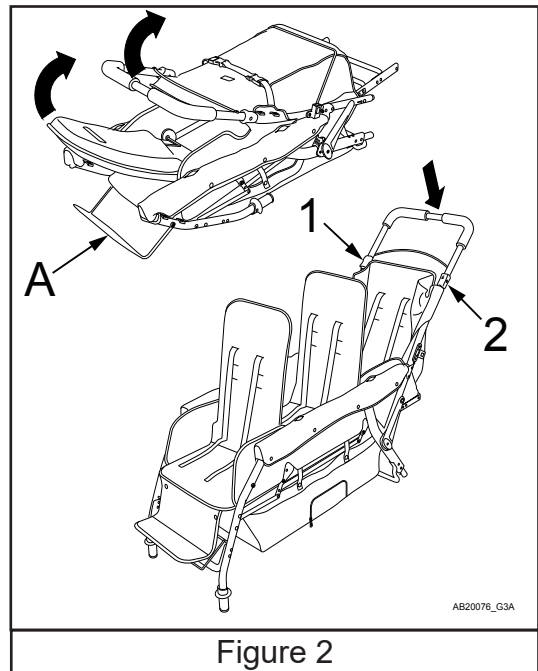
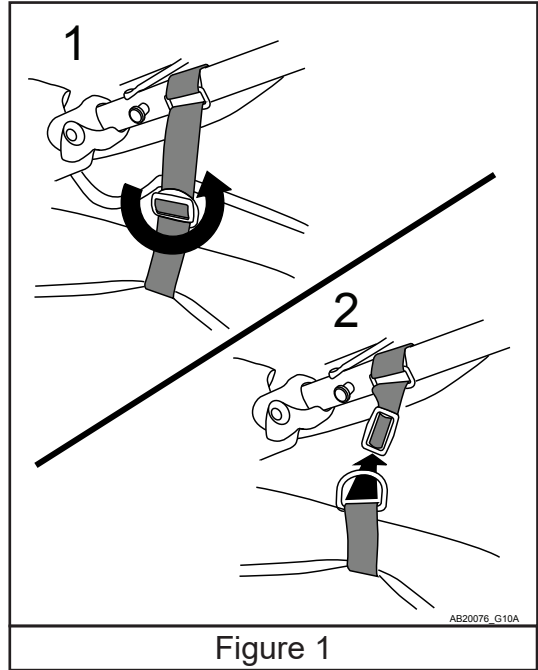
Unbuckle retaining strap by turning square plastic loop 90 degrees (1) and passing it through the plastic "D" ring (2).

See Figure 1.

Pull back on handle to unfold Stroller Frame Assembly (A). Once stroller is unfolded press down on handle until the red Fold Lock Release (1, 2) on both sides of the handle clicks into place.

Check to make sure Stroller Frame Assembly is secure and does not return to folded position.

See Figure 2.



STEP 2 Front Wheel Assembly

Assemble Front Wheel Assembly to Stroller Frame Assembly.

Align Collar of Front Wheel Assembly (C) with mounting shaft of Stroller Frame Assembly (A). Push up on collar until the Front Wheel Assembly (C) locks into place with a click.

See Figure 3.

Note: For possible disassembly there is a release tab on the bottom inside of the Front Wheel Assembly collar. For wheel directional locking option see the Stroller Operation section.

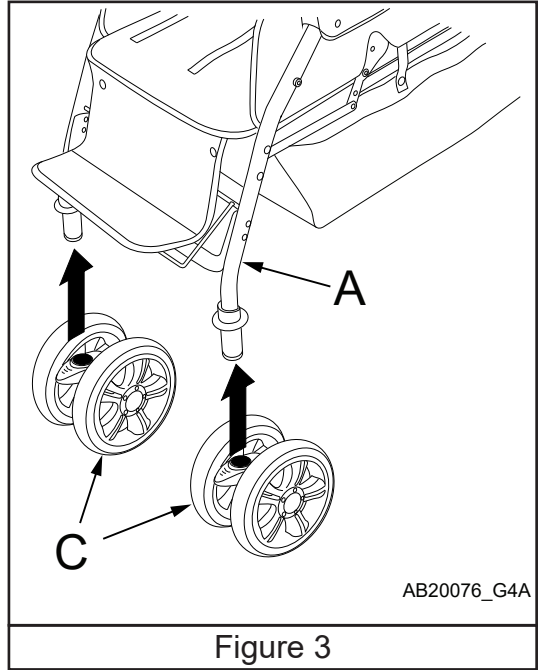


Figure 3

STEP 3 Rear Wheel Assembly

Assemble Rear Wheel and Brake Assembly to Stroller Frame Assembly.

Align both collars of Rear Wheel and Brake Assembly (B) with mounting shafts of Stroller Frame Assembly (A). Push up until the Rear Wheel and Brake Assembly (B) collar locks into place with a click. The spring button should fully protrude through hole in Rear Wheel and Brake Assembly collar (B)

See Figure 4.

Note: For possible disassembly of rear Wheel and Brake Assembly, fully depress spring button to release assembly.

For wheel brake option see the Stroller Operation section.

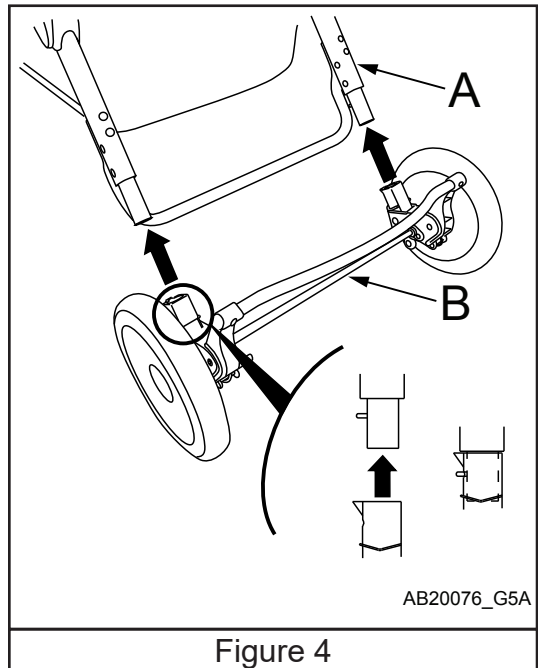


Figure 4

STEP 4 Front and Center Canopy Assembly

Assemble Front and Center Canopy Assembly to stroller.

Align spring tab (2) of Canopy Assembly (E) through opening in the cloth armrest (1) and into canopy retainer (3). Assembly locks into place with a click.

Repeat for both sides.

To remove Canopy Assembly depress spring tab until it releases from the canopy retainer.

If the tab does not release easily you may use a straight screwdriver or equal tool to depress the spring tab.

See Figure 5.

Note:

For Front and Center Canopy operation see the Stroller Operation section.

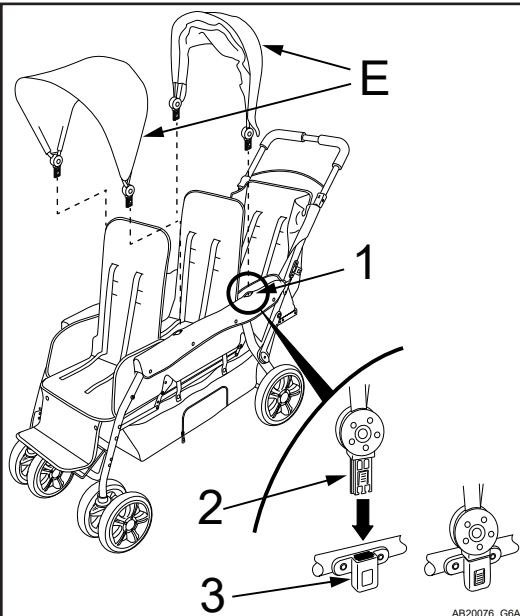


Figure 5

STEP 5 Rear Canopy Assembly

Assemble Rear Canopy Assembly to stroller.

Align Spring tab (1) of Rear Canopy Assembly (D) into canopy retainer (2). Assembly locks into place with a click. Secure hook and loop straps (3) around the canopy bow (4).

See Figure 6.

Wrap the lower portion of the Canopy (5) around the outside of the handle frame and press the hook and loop tabs together. Wrap the upper portion of the Canopy (6) around the inside of the handle frame and Fold Lock Release and press the hook and loop tabs together.

To remove Canopy unwrap hook and loop fasteners, depress the spring tab and pull out on the Canopy Assembly. See Figure 7.

Note: For Rear Canopy operation see the Stroller Operation section.

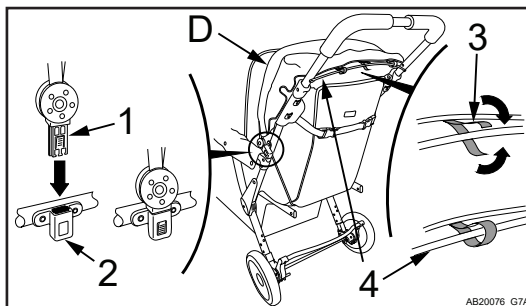


Figure 6

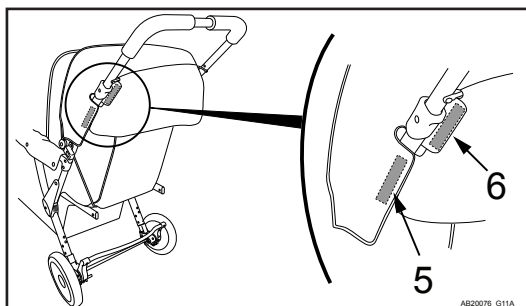


Figure 7

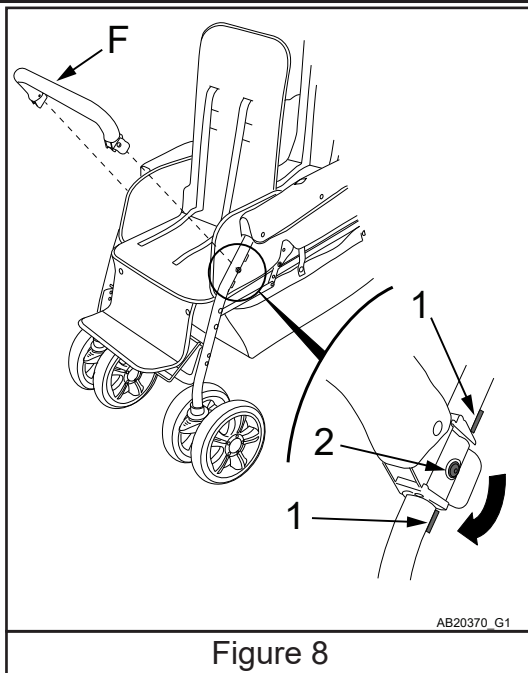
STEP 6 Arm Bar Assembly

Assemble Arm Bar to Stroller

Align Arm Bar (F) clamps between Arm Bar stops on stroller frame (1). Close clamp lock lever on Arm Bar so that hole in clamp aligns with button on stroller frame (2). Press down on clamps until they lock in place.

See Figure 8.

Note: To remove Arm Bar (F) reverse procedure and lift up on clamps to release.



--- STROLLER OPERATION AND USE ---

Folding and Unfolding Stroller

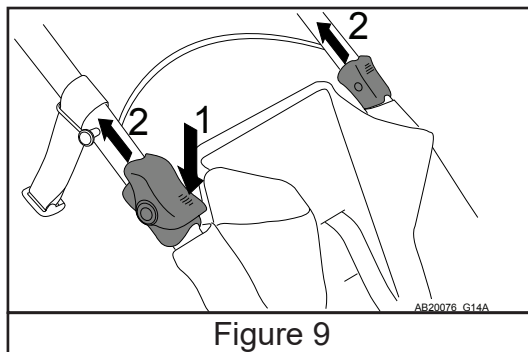
⚠ WARNING ⚠

- Pinch Hazard - Keep hands clear of moving parts during assembly, folding and unfolding.
- Ensure that all the locking devices are engaged before use.

Folding Stroller.

Note: Canopies should be folded together and seats in the upright position for easier folding operation
See Figure 10.

Squeeze together on Right Fold Lock Release Lever (1) . Pull both right and left releases backwards toward handle until handle releases (2). Push handle forward after release to completely fold.



See Figure 9 and 10.

Folding and Unfolding Stroller Continued

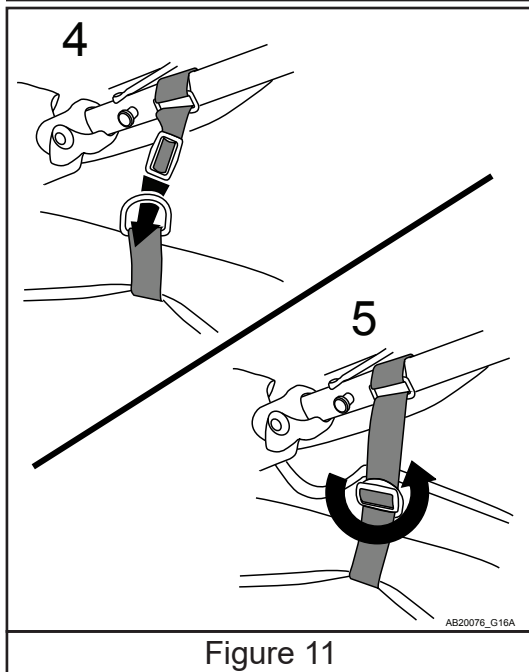
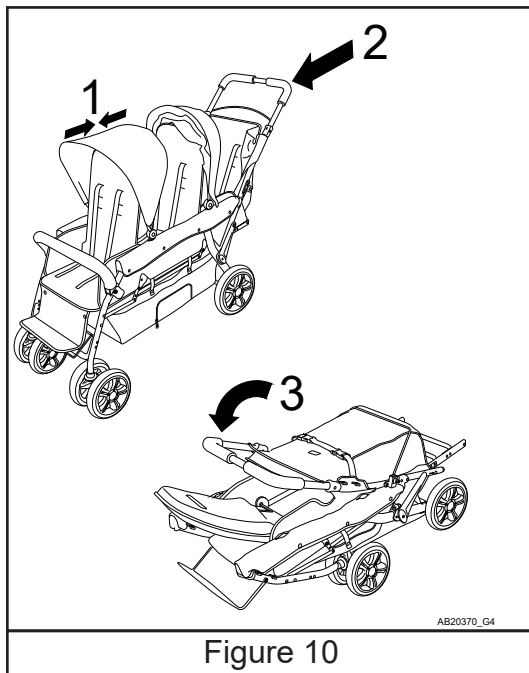
Folding Stroller.

After stroller is fully folded (3) insert square plastic loop 90 degrees and push it through the “D” ring in the matching strap. Turn the plastic loop until it catches in place to secure stroller in the closed position.

See Figure 11.

To unfold stroller, reverse operation.

When unfolding, confirm that lock release levers are engaged with a click. Push down on stroller to make sure it does not fold and is secure. Also see Step 1 Unfolding Stroller in the Stroller Assembly section.



Securing Children In Stroller



WARNING



Avoid Serious Injury To Children From Falling Or Sliding Out:

- **ALWAYS** use a harness to restrain each child.
- **Snugly** adjust harness around each child.
- **NEVER** leave children unattended, even when sleeping.
Always keep children in view.
- **DO NOT** allow children to climb on stroller or stand in seat.

Securing child into stroller seat.

With harness unbuckled place child into seat.

Shoulder belts (1) should be adjusted to match the height of child. If height needs adjusted, rotate retaining buckle and push through slot in the seat.

Replace by putting through correct height slot in front of seat and rotating Buckle until flat against seat back.

See Figure 12.

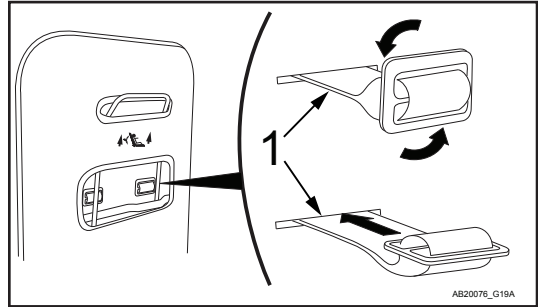


Figure 12

Secure child with harness by positioning crotch strap (4) with attached center buckle (3) between child's legs. Place shoulder (1) and waist (2) belts over shoulders and child's thighs. Insert and snap buckle (1,2) into center buckle (3).

Snugly adjust each strap by pulling on the free end of the strap and moving plastic loop along strap.

See figures 13 and 14.

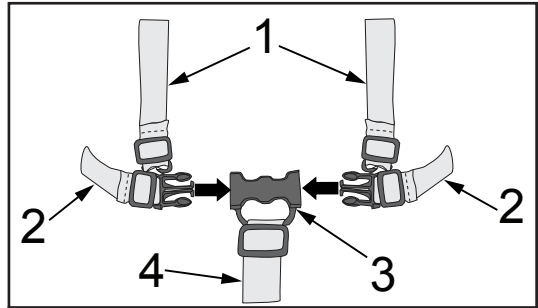


Figure 13

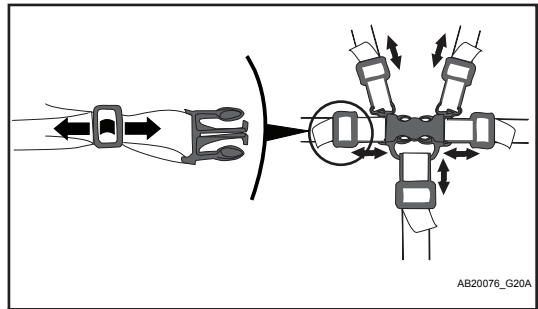


Figure 14

Front and Center Seat Back Recline Adjustment

Front and Center Seat recline adjustment.

The seats have 2 positions upright and reclined.

To adjust seat back pull up on recline handle until seat is released. Place seat into desired position and release handle. Make sure seat is secured in position after releasing handle. Check harness for security after adjusting seat position.

See Figure 15.

Note: seat must be in upright position to fold stroller

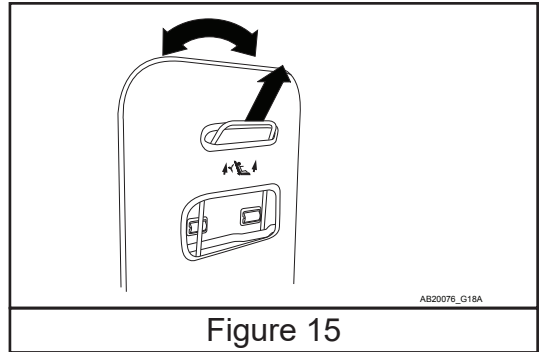


Figure 15

Rear Seat Back Recline Adjustment

Rear Seat recline adjustment.

The rear seat has 2 positions upright and reclined.

To recline seat back, hold seat in upright position and press on buckle tabs to release both buckles (1). Lower seat back into position.

To raise seat into upright position raise seat back and attach both buckles (1) together. Check that buckles are fully engaged before releasing seat back.

See Figure 16.

Note: seat must be in upright position to fold stroller

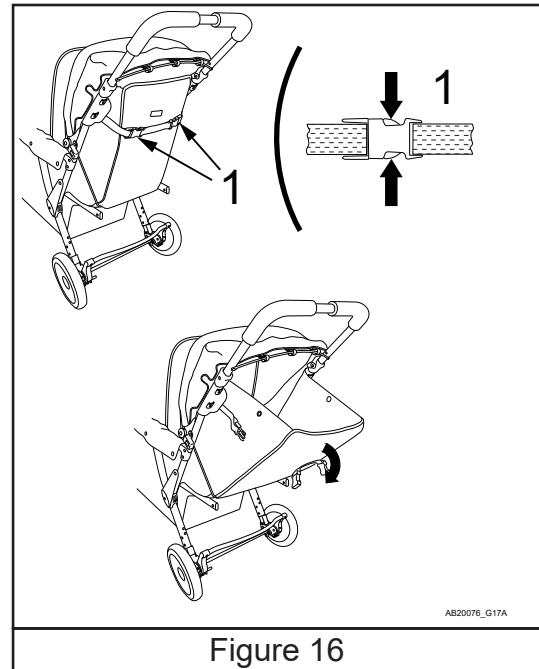


Figure 16

Parking Brake Operation



WARNING



- Always lock parking brake when stroller is stopped and when loading and unloading children.

Locking Parking Brake.

Press down on parking brake lock bar (1) on the Rear Wheel and Brake Assembly. Check that the wheels are locked.

Unlocking parking brake.

While pressing down on the handle, place toe under the parking brake lock bar and lift up.

See Figure 17.

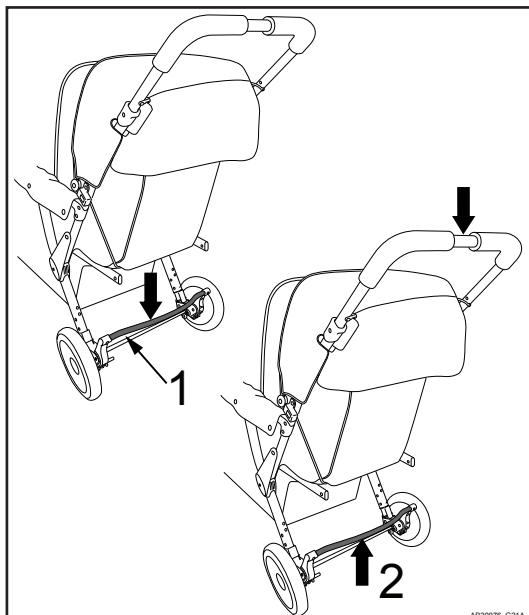


Figure 17

Arm Bar Removal and Replacement

Refer to Step 6 in the Stroller Assembly Instructions for Arm Bar removal and replacement

Front Wheel Swivel Lock Operation



WARNING



- Always use front wheel swivel locks when pushing stroller on uneven ground.

Front Wheel Swivel Lock Operation

Locking Front Wheel Swivel.

Align front wheels such that they are straight in the direction of stroller moving forward. Swivel lock on wheels should be lined up with swivel lock track on stroller frame posts. Push down on swivel lock tab until it snaps into place. Check front wheels are locked in place.

Repeat for both front wheel assemblies. See figure 18.

To unlock push up on both swivel lock tabs fully up. Wheels should swivel freely.

Repeat for both wheel assemblies.

See Figure 19.

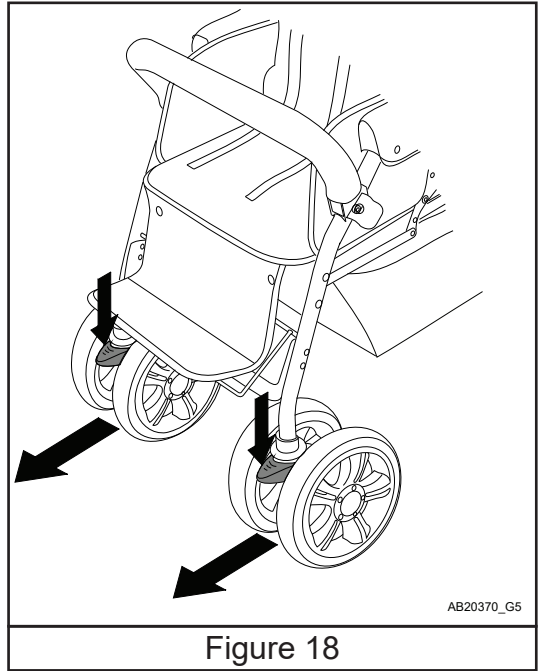


Figure 18

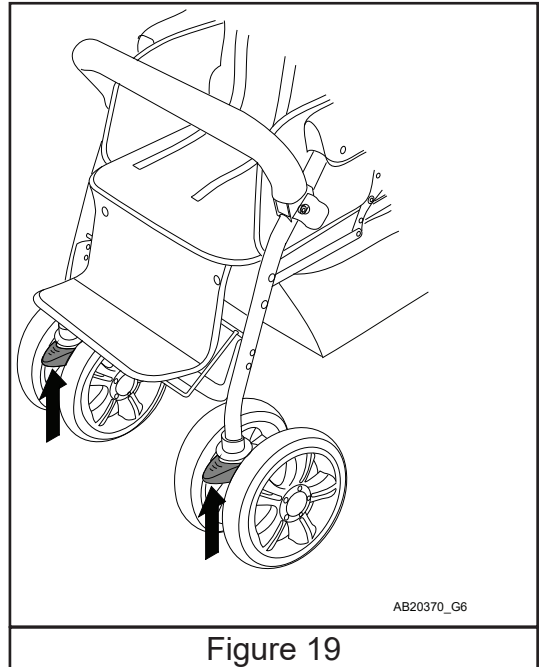


Figure 19

Canopy Operation

Canopy operation.

The front hoop of each canopy section moves forward or retracts backwards as desired.

See Figure 20.

For canopy removal and attachment see Step 4 and 5 in the Stroller assembly section.

Notes: Canopies need to be fully retracted before folding stroller. They do not need removed unless otherwise desired.

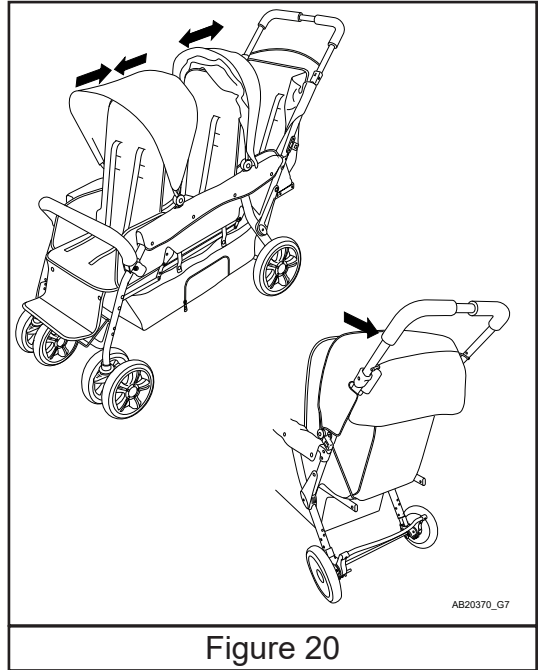


Figure 20

Storage Access

Storage access

To provide easy access to the bottom storage area an access door with zipper is provided on the side.

Do Not place more than 15 lbs.(6.7 kg.) in storage area.

See Figure 21.

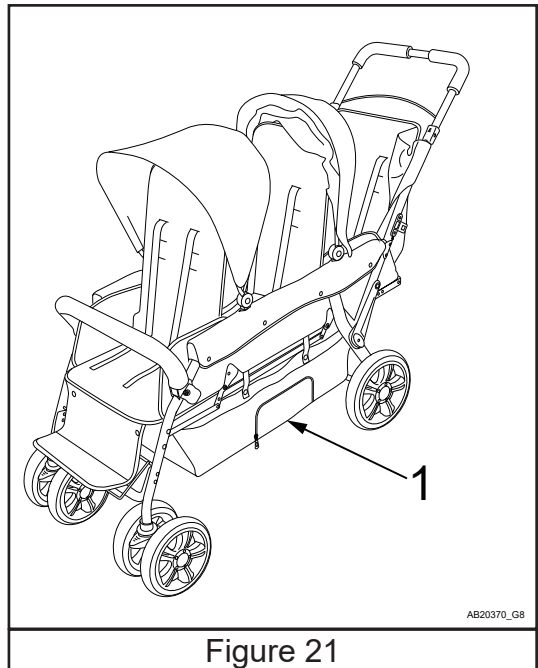


Figure 21

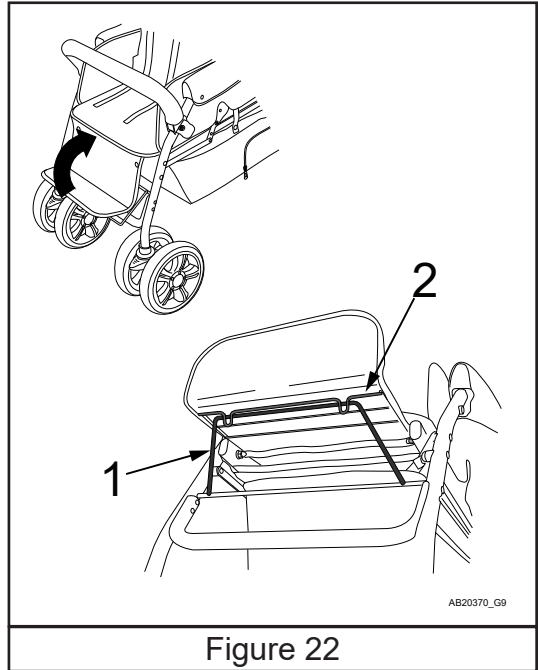
Front Footrest Operation

Front Footrest operation.

Swing footrest upward until even with the seat. Swing footrest retaining bar upward until it goes behind the retaining tabs on the footrest.

To place footrest down lift slightly until the footrest retaining bar swings downward and releases the footrest tabs.

See Figure 22.



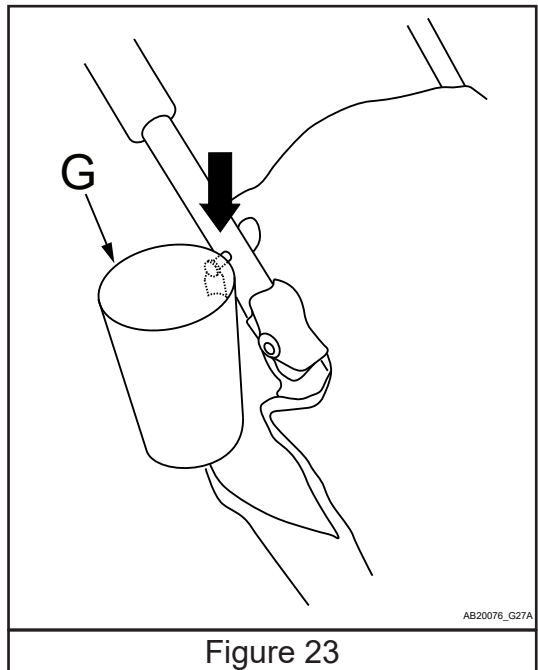
Cup Holder Assembly

Cup Holder Assembly

Push down Cup Holder (G) to secure in place. Cup Holder key slot fits into button on side of stroller handle.

See Figure 23.

- Only use Gaggie® provided or approved accessories for this stroller.



Stroller Maintenance

Cleaning seats, harness, armrests, arm bar and canopy:

1. Surface wash only with mild solution of soap and water.
2. Rinse with water to remove soap solution.

Cleaning Stroller:

1. Surface wash stroller frame, plastic parts and fabric with mild solution of soap and water. Wipe surfaces with water to remove soap solution.
2. Wipe or air dry.

GAGGLE®

5216 Portside Dr, Medina, OH 44256 USA
TEL: 1 234.400.0724 • FAX: 1 330.722.5037
gogaggle.com

IMPORTANTE - LEA CUIDADOSAMENTE Y GUARDE EL FUTURO REFERENCIA

Carriola Gaggle® Compass™ Trio

Modelos: 9909032, 4130XX9

PARA LLAMAR AL SERVICIO DE ATENCIÓN AL CLIENTE: 1-234-400-0724. NO LLAME AL MINORISTA O DISTRIBUIDOR PARA RECIBIR SERVICIO O MANTENIMIENTO, YA QUE NO ESTÁN AUTORIZADOS PARA RESOLVER ESE TIPO DE PROBLEMAS.

DE GARANTÍA Y FEDERAL DE SEGURIDAD ESTÁNDAR CERTIFICADOS DE CUMPLIMIENTO, POR FAVOR VISITE NUESTRA SITIO WEB EN gogaggle.com

ASISTENCIA ASAMBLEA

IMPORTANTE: Conservar para futuras consultas. Lea cuidadosamente.

Gaggle® se esfuerza para la más alta calidad en nuestros productos, pero de vez en cuando una pieza o un problema de falta pueden ocurrir durante asamblea. Si falta alguna pieza o rotas o que necesitan asistencia con el armado, no regrese el producto a su distribuidor. Visite nuestro sitio web en: gogaggle.com o llame Gaggle® de asistencia al 1-234-400-0724 (de lunes a viernes, de 9:00 am a 16:00 hora del este). Tenga a mano los números de modelo y fecha de fabricación disponible cuando usted llame o nos escriba a: Gaggle® Strollers Foundations Worldwide, Inc.

5216 Portside Dr. Medina, OH. 44256

INSTRUCCIONES DE MONTAJE

- Requiere montaje por un adulto.
- Lea todas las instrucciones ANTES de armar y USAR de producto.
- Caja Desempaquetar, retire los materiales de embalaje, incluyendo polybag. Identifique y revise todas las partes.



El color y el estilo pueden variar

Anote la información para su producto aquí encontrar en el tubo del marco.

Número de modelo: _____

Fecha de fabricación: _____

Pedido de compra: _____



ADVERTENCIA



Este cochecito es para uso de 3 niños. Peso de 40 libras como máximo por US 16 CFR 1227 y 15 kg como máximo aprobado para BS EN 1888. Para uso con niños cuya altura es de 45 pulgadas (114 cm) o menos. Los niños DEBEN estar sentados apropiadamente con el arnés abrochado y ajustado.

Índice

Índice	18
Advertencias	19.
Advertencias instrucciones de montaje	
Herramientas y partes.....	20
Paso 1 Despliegue el cochecito de la Asamblea.....	21
Paso 2 - Montaje de la rueda delantera.....	22
Paso 3 - Asamblea de la rueda trasera.....	22
Paso 4 - Frente y Centro Asamblea Canopy	23
Paso 5 - Rear Asamblea Canopy.....	23
Paso 6 - Asamblea bar Brazo	24
Funcionamiento del cochecito y Uso	
Despliegue y plegable Cochecito.....	24
Asegurar niños en cochecito.....	26
Parte posterior de asiento reclinable Ajuste.....	27
Aparcamiento Operación freno.....	28
Rueda delantera giratoria Lock Operación.....	29
Canopy Operación.....	30
Acceso de almacenamiento.....	30
Frente reposapiés Operación.....	31
Soporte para vasos assessorry.....	31
Mantenimiento Cochecito	
Limpieza.....	32



ADVERTENCIA



El incumplimiento de estas advertencias e instrucciones de montaje podría causar lesiones graves o la muerte.

Evitar lesiones graves a los niños de la caída o deslizamiento de salida:

- SIEMPRE use arnés para sujetar cada niño.
- Ajuste bien el arnés alrededor de cada niño.
- NUNCA deje a los niños sin vigilancia, incluso al dormir. Siempre mantenga a los niños a la vista.
- NO permita que los niños se suban en cochecito o de pie en el asiento.

Evite Niños heridas graves al:

- NO permita que su niño juegue con este producto.
- Esta unidad de asiento no es conveniente para niños menores de 6 mese
- Este producto no es adecuado para correr o patinar.
- NO permita que los niños se sienten o se paren en la canasta de almacenamiento.
- Tenga cuidado al empujar el cochecito de cerca del tráfico o en muy áreas congestionadas.
- NO use la carriola en escaleras o escaleras mecánicas con los niños en lla.
- No levante la carriola por la barra del brazo.

Evitar la pérdida de control del cochecito:

- SIEMPRE use palomillas ruedas delanteras cuando se empuja el cochecito en un terreno desigual.
- Tenga cuidado al empujar el cochecito en un terreno desigual o colinas.
- Siempre ponga el freno de estacionamiento cuando se para la silla de paseo.
- NUNCA deje el cochecito sin vigilancia en una colina o inclinar incluso cuando el freno de estacionamiento.

Evite las lesiones por Cochecito vuelco:

- NO permita que los niños se suban en el cochecito sin ayuda, o para jugar o pasar el rato en la carriola.
- NO sobrecargue cochecito, ya que puede llegar a ser inestable.
- No lleve más de un niño por asiento.
- No coloque paquetes o bienes adicionales o en el cochecito.
- No agregue paquete de accesorios para transportar o colgar artículos del cochecito.
- NO coloque más de 15 libras. (6.7kg) en la cesta de almacenamiento.
- SIEMPRE distribuir el peso lo más uniformemente posible en cada lado de la silla de paseo.

Evite lesiones Pinch:

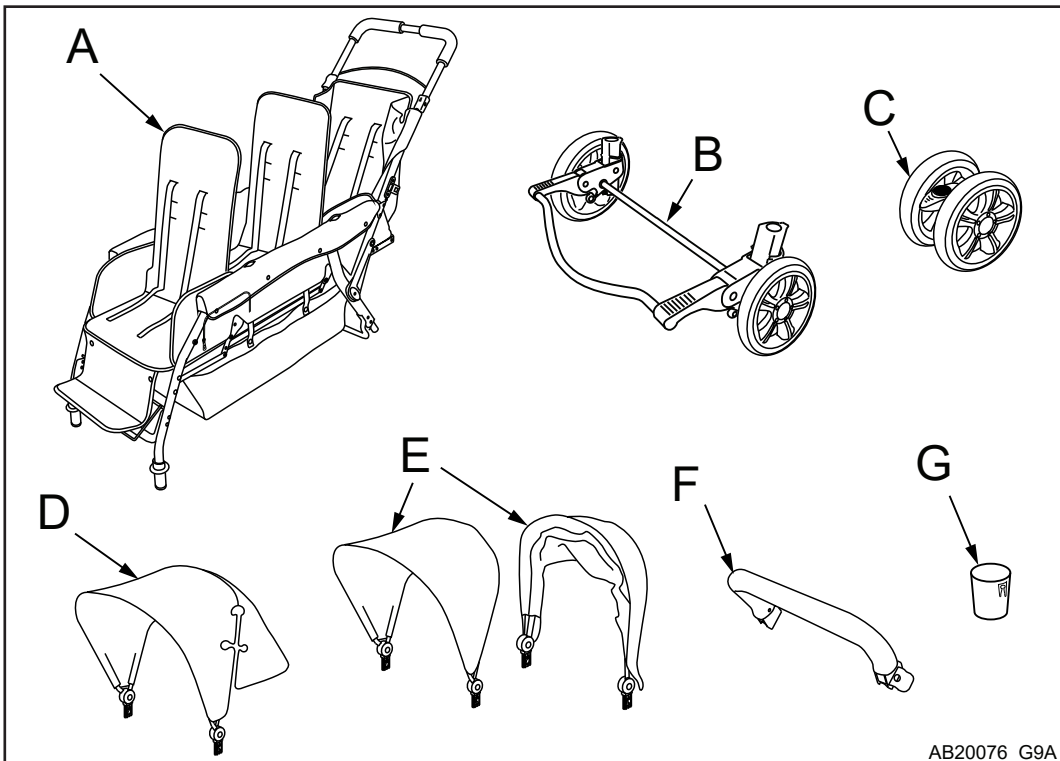
- Mantenga los dedos alejados de las juntas con bisagras al plegar y desplegar cochecito.
- Cuando haga ajustes, asegúrese siempre de cuerpo de todos los niños partes estén alejados de las piezas móviles.
- Para evitar lesiones a asegurar que sus hijos se mantengan lejos cuando despliegue y plegado de este producto.

⚠ ADVERTENCIA ⚠

- **Riesgo de asfixia** - piezas del montaje del cochecito incluye pequeña partes. Mantenga las piezas pequeñas fuera del alcance de los niños.
- **Las bolsas de plástico** pueden causar asfixia. Mantenga la bolsa de plástico lejos de niños. Retire y deseche las bolsas de plástico.
- **Una pizca de peligro** - Mantenga las manos alejadas de las piezas móviles durante el montaje, plegar y desplegar.
- **Accesorios no incluidos o aprobado por las Gaggle®** no deben ser utilizado.

LISTA DE PIEZAS

De Parte Descripción	Cantidad
A. Asamblea Marco Stroller	1
B. Rueda trasera y asamblea de freno	1
C. Asamblea de la rueda delantera	2
D. trasero Canopy	1
E. Front and Center Canopy	2
F. Bar Arm	1
G. Holder Copa	1



AB20076_G9A

PASO 1 Despliegue el Cochecito

Despliegue el cochecito para el montaje.

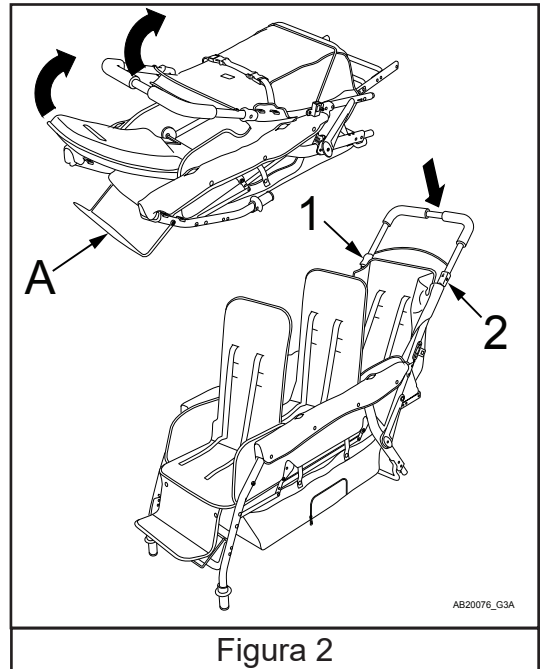
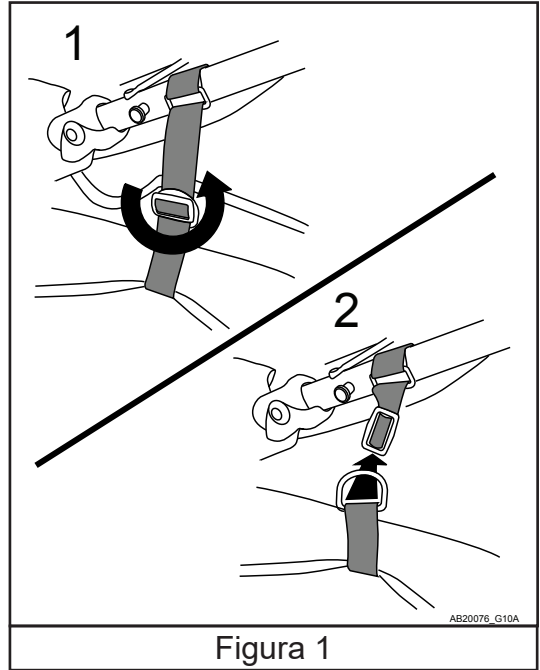
Coloque el conjunto del bastidor del cochecito (A) en un piso limpio, con tubo de mango y los asientos en la parte superior.

Desabrochar correa de retención girando bucle cuadrado de plástico 90 grados (1) y que pasa a través del anillo de plástico "D" (2).

Consulte la Figura 1.

Tire hacia atrás de la palanca para desarrollarse Conjunto del bastidor del cochecito (A). Una vez que el cochecito esté desplegado presione el mango hacia abajo hasta que el rojo Fold Lock Release (1, 2) en ambos lados de que el mango encaje en su lugar. Verifique para asegurarse de Frame Cochecito El montaje es seguro y no vuelve a la posición plegada.

Ver Figura 2.



PASO 2 Montaje de la Rueda Delantera

Ensamble tren delantero para silla de paseo conjunto del bastidor.

Alinear Collar de la rueda delantera Asamblea (C) con el eje de montaje del conjunto del bastidor del cochecito (A). Empuje hacia arriba el cuello hasta que la rueda delantera Asamblea (C) encaje en su sitio con un clic.

Véase la figura 3.

Nota: en caso de desmontaje hay una lengüeta de liberación en la parte inferior interior del cuello de la Asamblea de la rueda delantera.

Para rueda opción de bloqueo direccional consulte la sección Cochecito Operación.

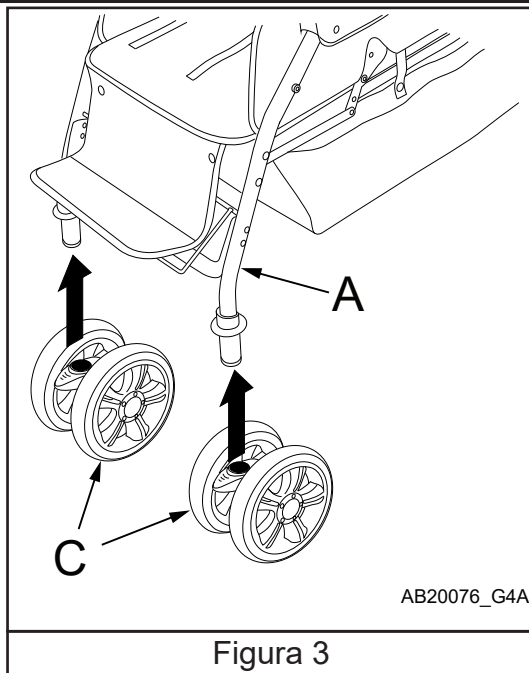


Figura 3

PASO 3 Asamblea de la Rueda Trasera

Montar la rueda trasera y de freno Asamblea para el conjunto del bastidor del cochecito.

Alinear los dos collares de la rueda trasera y el conjunto del freno (B) con ejes de montaje del marco del coche de montaje (A). Empuje hacia arriba hasta que la Asamblea de rueda y freno trasero (B) cerraduras de cuello en su lugar con un clic. El botón de resorte debe sobresalir totalmente a través del agujero en la rueda trasera y de freno Asamblea cuello (B)

Vea la Figura 4.

Nota: en caso de desmontaje de la rueda trasera y el conjunto del freno, totalmente presione el botón de resorte para liberar asamblea.

Para la opción de freno de la rueda consulte la sección de Operación del cochecito.

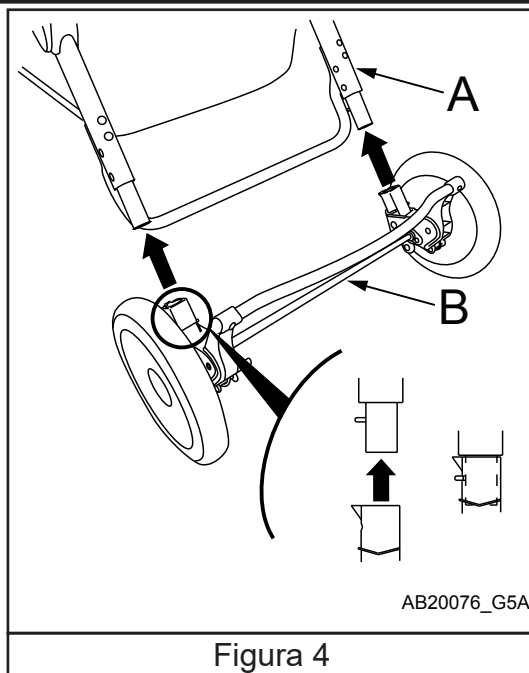


Figura 4

PASO 4 Frente y Centro Asamblea Canopy

Ensamble Frontal y Centro Asamblea Canopy para silla de paseo.

Alinee la lengüeta del muelle (2) de Canopy Ensamblaje (E) a través de la abertura en el apoyabrazos de tela (1) y en el retén de dosel (3). Asamblea encaje en su sitio con un clic.

Repita el procedimiento para ambas partes.

Para quitar Asamblea Canopy deprimir pestaña primavera hasta que se suelte del retenedor dosel.

Si la ficha no libera fácilmente puede utilizar un destornillador de punta plana o igual herramienta para presionar la lengüeta de resorte.

Ver Figura 5.

Nota:

Para el frente y el funcionamiento del Centro Canopy consulte la sección Cochechito Operación.

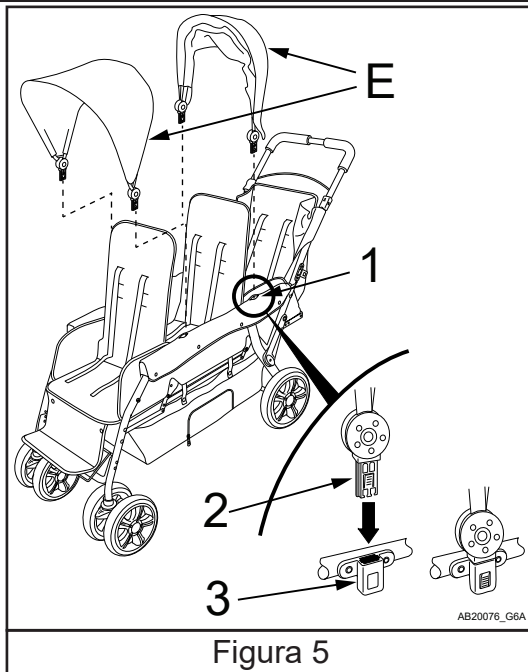


Figura 5

PASO 5 Rear Asamblea Canopy

Ensamble posterior Asamblea Canopy para silla de paseo.

Alinee pestaña Primavera (1) del trasero Canopy Asamblea (D) en el retenedor de copa (2). Asamblea encaje en su sitio con un clic. Gancho y bucle correas seguras (3) alrededor de el arco dosel (4).

Ver Figura 6.

Envolver la parte inferior de la campana (5) alrededor de la parte exterior del marco mango y presione las lengüetas de gancho y bucle juntos. Envuelva la parte superior del dosel (6) alrededor de la parte interior del marco mango y plegar Lock Release y presione las lengüetas de gancho y bucle juntos.

Para quitar Canopy gancho desenvuelva y alamares, oprima la lengüeta de la primavera y tire hacia fuera en la Asamblea Canopy.

Ver Figura 7.

Nota: Para el funcionamiento posterior Canopy ver la sección Cochechito Operación.

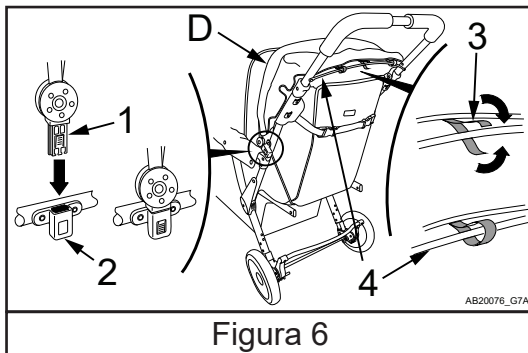


Figura 6

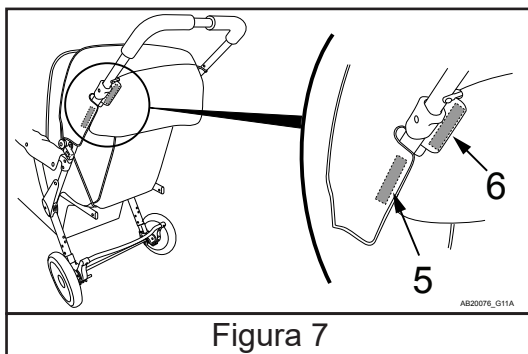


Figura 7

PASO 6 Brazo Asamblea Bar

Monte Bar Brazo para silla de paseo

Alinear Bar Arm (F) pinzas entre Arm Bar detiene en marco del coche (1). Cerrar palanca de bloqueo de la abrazadera en la barra de brazo de modo que el agujero en la abrazadera se alinea con el botón en marco del coche (2). Presione hacia abajo en las mordazas hasta que encajen en su lugar.

Véase la Figura 8.

Nota: Para eliminar Bar Arm (F) procedimiento inverso y alza en las mordazas para soltar.

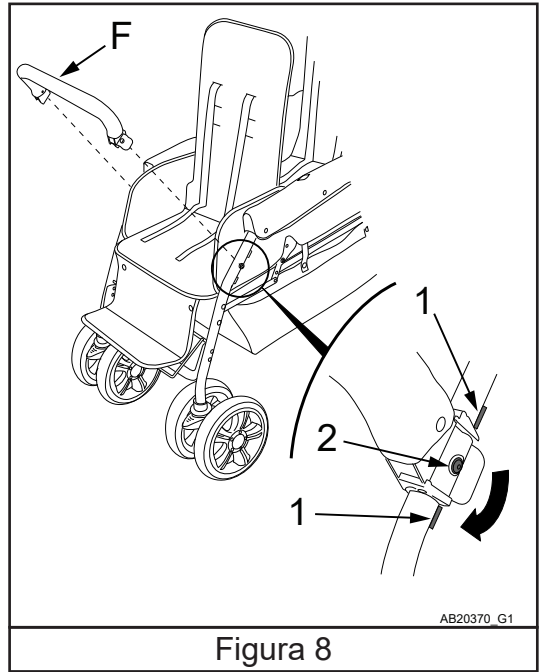


Figura 8

--- SILLA DE PASEO DE FUNCIONAMIENTO Y USO ---

Plegar y Desplegar el Cochecito

⚠ ADVERTENCIA ⚠

- Mantenga las manos alejadas de las piezas móviles durante el montaje, plegar y desplegar. Riesgo de pellizcamiento asegurados.
- Asegúrese de que todos los dispositivos de bloqueo están asegurados antes de su uso.

Plegar el cochecito.

Nota: Toldos debe doblarse juntos y asientos en la posición vertical position para operación de plegado más fácil (1).
Vea la Figura 10.
Apriete juntos en Derecho Fold Lock Palanca de liberación (1). Tire comunicados derecho e izquierdo hacia atrás hacia el mango hasta que se libere la manija (2). Barra de empuje hacia adelante después de la liberación para plegar completamente.

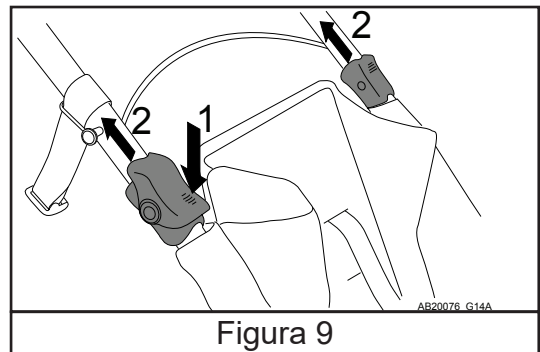


Figura 9

Véase la Figura 9 y 10.

Plegado y desplegado Cochecito Continúa

Plegar el cochecito.

Después cochecito está completamente plegado (3) insertar lazo de plástico cuadrada de 90 grados y empujarlo a través del anillo "D" en la correa a juego. Girar el lazo de plástico hasta que se trabe en su lugar para asegurar silla de paseo en la posición cerrada.

Vea la Figura 11.

Para desplegar el cochecito, la operación inversa.

Al desplegar, confirmar que el bloqueo palancas de liberación están comprometidos con un clic. Empuje hacia abajo el cochecito para asegurarse de que no se pliega y es seguro.

También consulte el Paso 1 Despliegue el cochecito en la sección Montaje del cochecito.

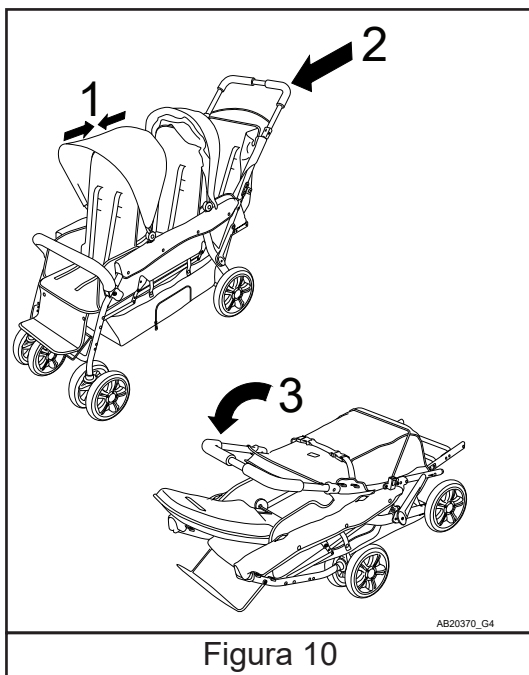


Figura 10

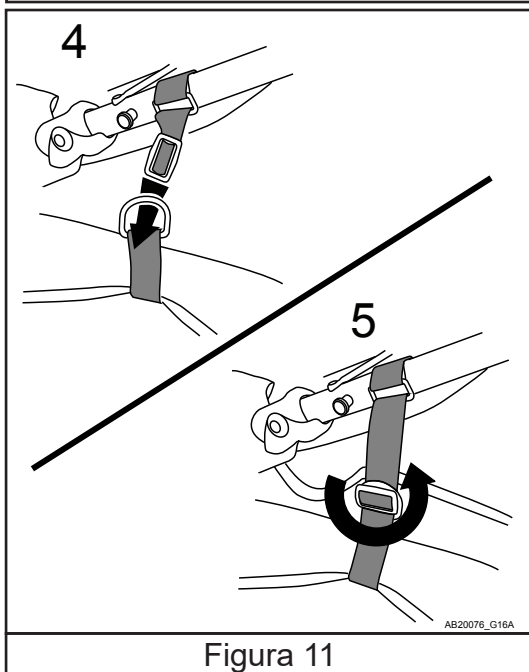


Figura 11

⚠️ ADVERTENCIA ⚠️

Evitar lesiones graves a los niños de la caída o deslizamiento de salida:

- **SIEMPRE** use un arnés para sujetar cada niño.
- **Ajuste bien el arnés alrededor de cada niño.**
- **NUNCA** deje a los niños sin vigilancia, incluso cuando estén dormidos. Siempre mantenga a los niños a la vista.
- **NO** permita que los niños se suban en cochecito o de pie en el asiento.

Asegurar niño en asiento de la carriola.

Con arnés desabrochado lugar niño en el asiento. Cinturones de hombro (1) se deben ajustar para que coincida con la altura del niño. Si la altura ajustada necesita, rotar hebilla de retención y empuje través de la ranura en el asiento.

Reemplazar poniendo través de la ranura altura correcta delante del asiento y la rotación de la hebilla hasta plana contra asiento trasero.

Vea la Figura 12.

Seguridad niño con el arnés por correa de la entepierna de posicionamiento (4) con hebilla adjunta centro (3) entre las piernas del niño. Lugar del hombro (1) y de la cintura (2) correas sobre los hombros y los muslos del niño. Inserte y encaje hebilla (1,2) en la hebilla central (3). Ajuste bien cada correa tirando del extremo libre de la correa y el movimiento lazo de plástico a lo largo de la correa.

Ver las figuras 13 y 14.

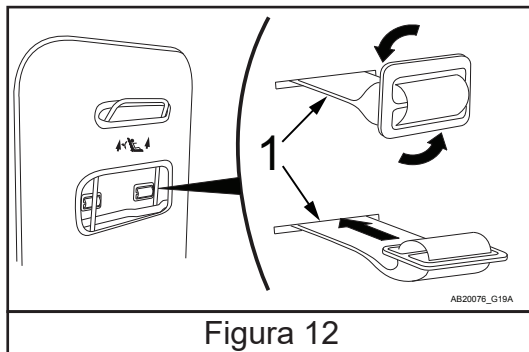


Figura 12

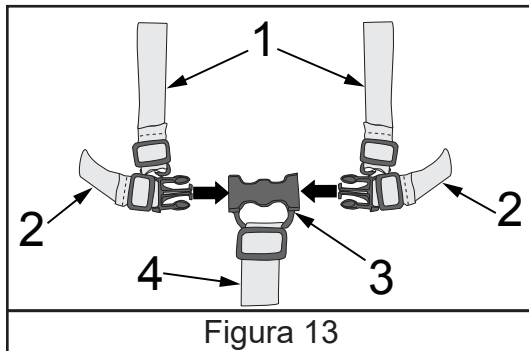


Figura 13

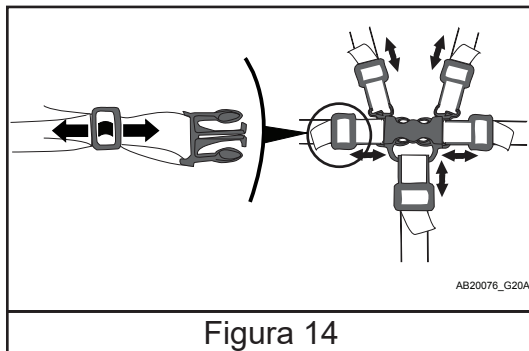


Figura 14

Frente y Centro Asiento Trasero Reclinable Ajuste

Frente y Centro Reclinación del asiento ajuste.

Los asientos tienen 2 posiciones vertical y reclinada. Para ajustar el asiento trasero tire hacia arriba de la manija de reclinación del asiento hasta que se suelte. Coloque el asiento en la posición deseada y manija de liberación. Hacer asiento firme y bien asegurada en su posición después de soltar la manija. Revisar el arnés de seguridad después de ajustar posición del asiento.

Vea la Figura 15.

Nota: el asiento debe estar en posición vertical para plegar el cochecito

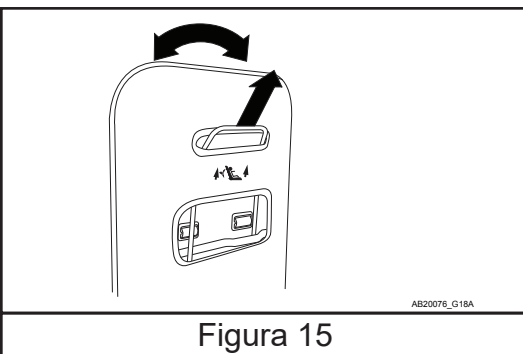


Figura 15

Asiento Trasero Reclinable Volver Ajuste

Ajuste del reclinación del asiento trasero.

El asiento trasero tiene 2 posiciones verticales y reclinables. Para reclinarse el respaldo del asiento, sostenga el asiento posición vertical y presione las pestañas de la hebilla para liberar ambas hebillas (1). Baje el respaldo a su posición.

Para elevar el asiento en posición vertical, levante el respaldo y coloque ambas hebillas (1) juntas. Verifique que las hebillas estén completamente enganchadas antes de soltar el respaldo del asiento.

Vea la Figura 16.

Nota: el asiento debe estar en posición vertical para doblar el cochecito

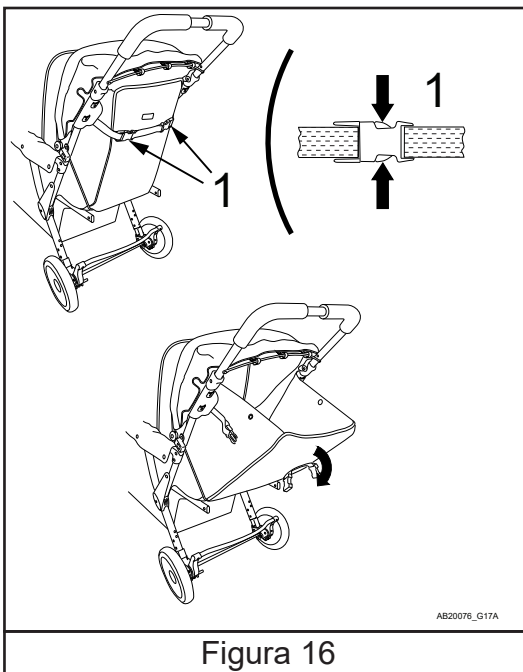


Figura 16

Operación del Freno de Mano

⚠ ADVERTENCIA ⚠

- Siempre coloque el freno de estacionamiento cuando se detenga la carriola cuando carga y descarga de los niños.

El bloqueo del freno de estacionamiento.

Presione hacia abajo la barra de bloqueo del freno de estacionamiento (1) en la rueda trasera y de freno Asamblea. Verifique que las ruedas están bloqueadas.

Desbloqueo del freno de estacionamiento.

Mientras presiona hacia abajo la manija, el lugar del dedo del pie debajo de la barra de bloqueo de freno de mano y levante.

Vea la Figura 17.

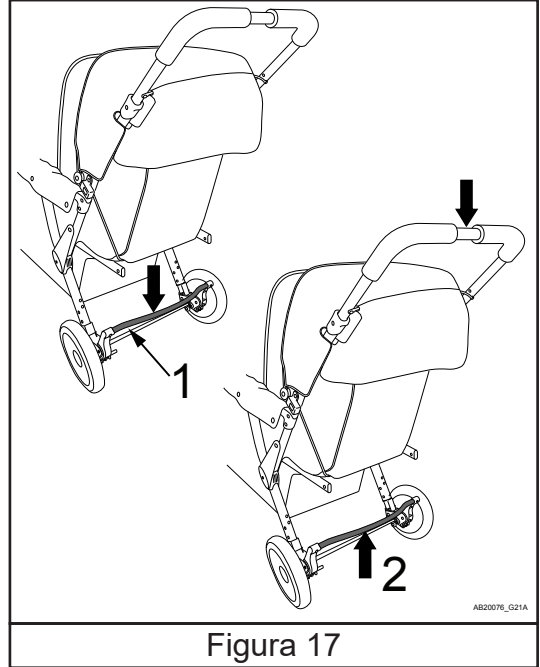


Figura 17

Brazo Bar Retiro y Reemplazo

Consulte el paso 6 en las Instrucciones de montaje Cohecito para la eliminación de barra para los brazos y la sustitución

Rueda delantera Operación Bloqueo giratorio

⚠ ADVERTENCIA ⚠

- Utilice siempre palomillas ruedas delanteras cuando empujando cochecito en terreno irregular.

Rueda Delantera Operación Bloqueo Giratorio.

El bloqueo de la rueda delantera giratoria.

Alinear ruedas delanteras de tal manera que son rectas en la dirección del cochecito seguir adelante. Bloqueo de dirección en las ruedas debe estar alineado con la pista de bloqueo de dirección en postes de la estructura del cochecito. Empuje hacia abajo en la pestaña de bloqueo de giro hasta que encaje en su lugar. Revise las ruedas delanteras se bloquean en su lugar.

Repita el procedimiento para los dos conjuntos de ruedas delanteras.

Ver figura 18.

Para desbloquear empuje hacia arriba sobre dos pestañas de bloqueo de giro completamente hacia arriba. Las ruedas deben girar libremente.

Repita el procedimiento para los dos conjuntos de ruedas.

Vea la Figura 19.

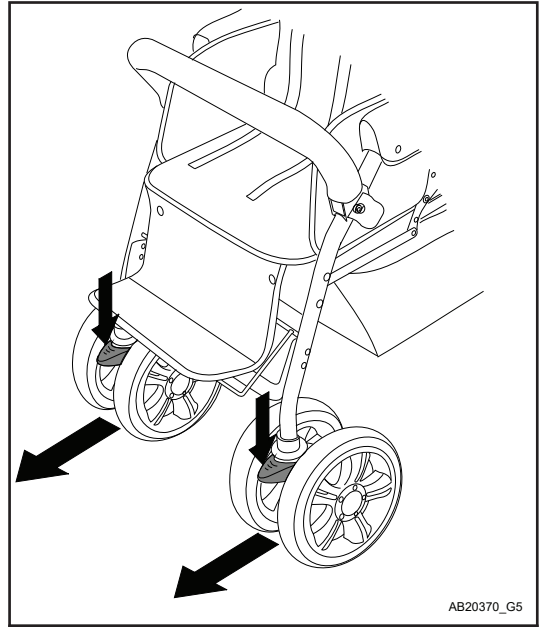


Figura 18

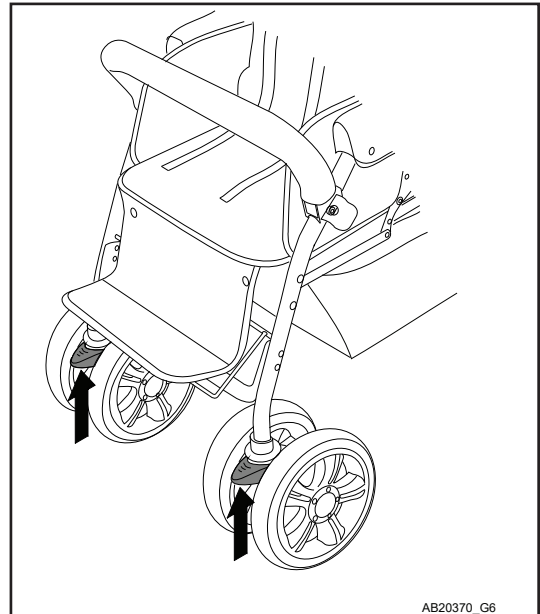


Figura 19

Canopy Operación

Operación Canopy.

El aro frontal de cada sección del dosel se mueve hacia adelante o hacia atrás retrae según se desee.

Vea la Figura 20.

Para la eliminación del dosel y el apego consulte el Paso 4 y 5 en el cochecito sección de montaje.

Notas: Toldos deben estar plenamente retraída antes de plegar el cochecito. Ellos no necesitan retirarse a menos que desee lo contrario.

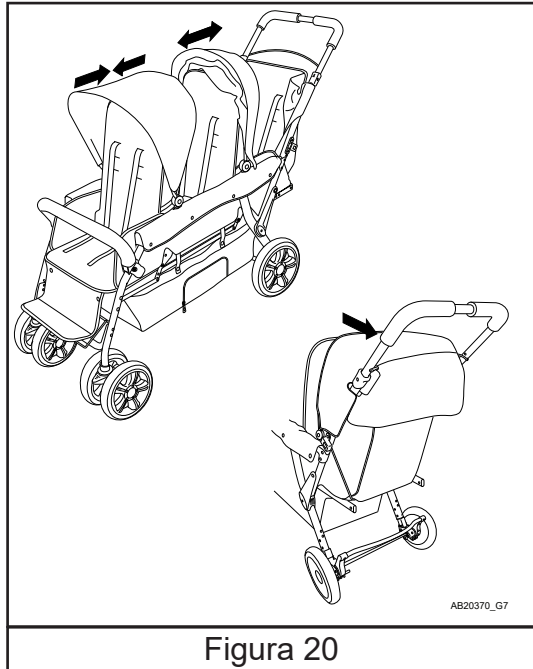


Figura 20

Almacenamiento de acceso

Acceso de Almacenamiento

Para facilitar el acceso a la área de almacenamiento inferior una puerta de acceso con cierre de cremallera se proporciona en el lado.

No coloque más de 15 libras. (6.7 kg.) en el área de almacenamiento.

Vea la Figura 21.

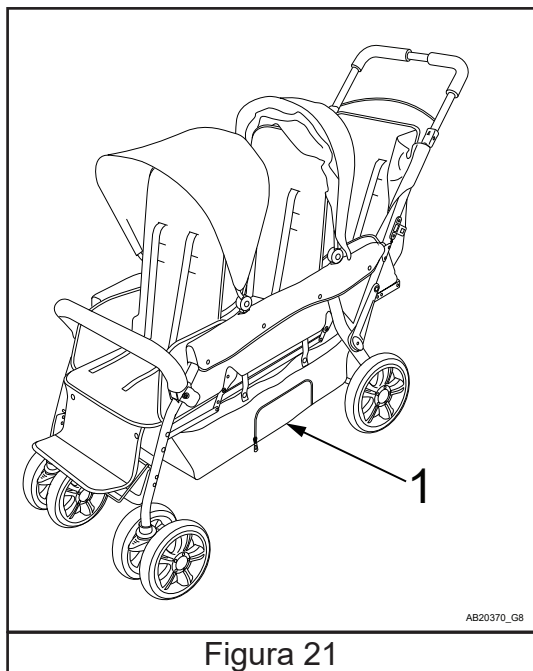


Figura 21

Frente Reposapiés Operación

Operación del reposapiés delantero.

Gire el reposapiés hacia arriba hasta que incluso con el asiento. Columpio barra de retención reposapiés hacia arriba hasta que va detrás de la lengüetas de retención sobre el reposapiés.

Para colocar el reposapiés hacia abajo elevación ligeramente hasta que las oscilaciones de la barra de sujeción reposapiés hacia abajo y libera las lengüetas del reposapiés.

Vea la Figura 22.

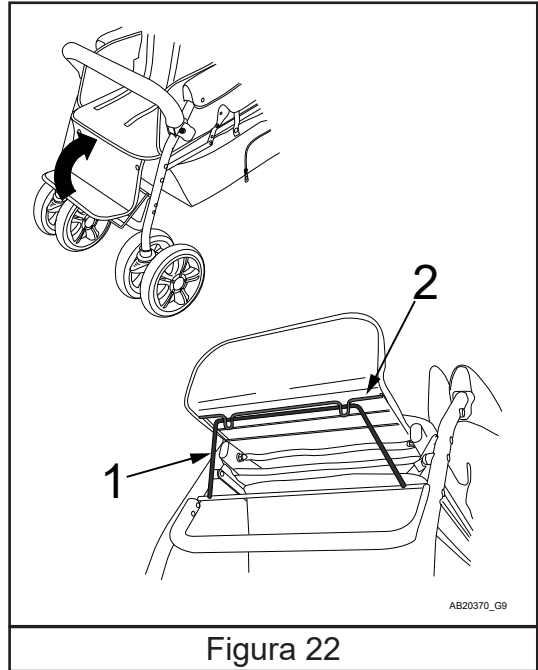


Figura 22

Asamblea Cup Holder

Asamblea Cup Holder

Empuje hacia abajo Cup Holder (G) para asegurar en su lugar. Holder Copa ranura de la llave encaja en botón en el lado de la manija del cochecito.

Vea la Figura 23.

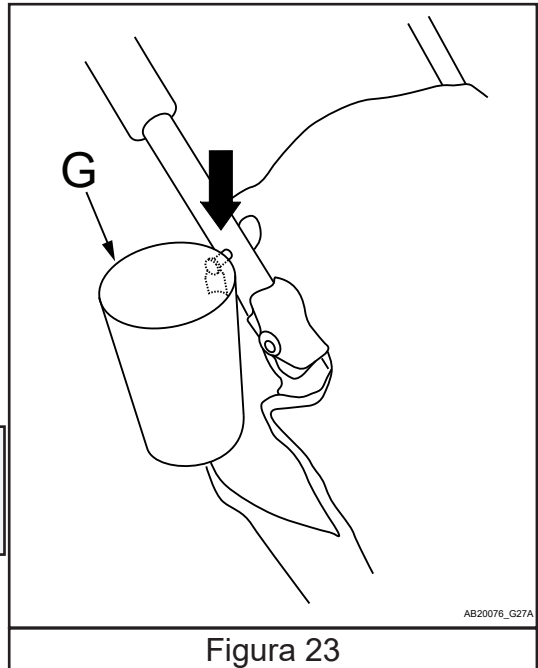


Figura 23

**Solo utilize los accesorios
aprovados por Gaggle®**

Asientos, arneses, apoyabrazos, bar brazo y el dosel de limpieza:

1. Lave la superficie solamente con una solución suave de agua y jabón.
2. Enjuague con agua para eliminar la solución de jabón.

Cohecito de limpieza:

1. Superficie marco del coche de lavado, piezas de plástico y de tela con una solución suave de jabón y agua. Limpiar las superficies con agua para eliminar la solución de jabón.
2. Limpie o seque al aire.

GAGGLE®

5216 Portside Dr, Medina, OH 44256 USA
Tél: 1 234.400.0724 • FAX: 1 330.722.5037
gogagglego.com

**IMPORTANT - LIRE ATTENTIVEMENT ET GARDER POUR L'AVENIR
RÉFÉRENCE**

Poussette Gaggle® Compass™ Trio *Les modèle visés: 9909032, 4130XX9*

**POUR SERVICE CLIENT APPEL
1-234-400-0724. NE PAS APPELER DÉTAILLANT
OU REVENDEUR POUR SERVICE AS NE SONT
PAS AUTORISÉS POUR RÉSOUDRE LES PROBLÈMES
AUCUN SERVICE.**

**GARANTIE ET FÉDÉRAL DE SÉCURITÉ STANDARD
CERTIFICAT DE CONFORMITÉ Le,
S'IL VOUS PLAÎT VISITEZ NOTRE
SITE INTERNET gogagglego.com**

ENSEMBLE ASSISTANCE

**IMPORTANT: À conserver pour référence future. Lire
attentivement.**

Gaggle® s'efforce de la plus haute qualité dans nos produits, mais de temps en temps une partie ou manquant problème peut se produire pendant ensemble. Si des pièces sont manquantes ou brisées ou si vous devez aide au montage, NE PAS retourner le produit à votre revendeur. Allez sur notre site Web à: gogagglego.com ou appeler Gaggle® d'aide au 1-234-400-0724 (du lundi au vendredi, 9h00 h à 16h00 heure de l'Est). S'il vous plaît avoir le numéro de modèle et la date disponible fabriquer lorsque vous appelez ou écrivez-nous à: Gaggle® Strollers Foundations Worldwide, Inc. 5216 Portside Dr Medina, OH. 44256

INSTRUCTIONS DE MONTAGE

- Assemblage par un adulte.
- Lisez toutes les instructions avant le montage et l'utilisation de produit.
- Carton Déballez, enlever les matériaux d'emballage, y compris le poly-sac. Identifier et contrôler toutes les pièces.



La couleur et le style peuvent varier

Enregistrer les informations de votre produit trouvé ici sur le tube de cadre.

Numéro de modèle: _____

Date de fabrication: _____

Numéro de commande: _____



AVERTISSEMENTS



**Cette poussette est pour l'utilisation de pas plus de trois enfants.
Pour une utilisation avec des enfants pesant au maximum 40 lb comme testé selon US 16 CFR
1227 et à 15 kg maximum selon BS EN 1888.
Pour une utilisation avec des enfants dont la hauteur est de 45 pouces (114 cm, ou moins).
Les enfants doivent être attachés dans les sièges avec harnais correctement ajusté.**

Table des Matières

Table des matières	34
Avertissements	35
Instructions de Montage	
Outils et pièces.....	36
Étape 1 Déroulement Poussette de l'Assemblée.....	37
Étape 2 - Assemblée Roue Avant.....	38
Étape 3 - Assemblage de la Roue Arrière.....	38
Étape 4 - Avant et du Centre Assemblée Canopy.....	39
Étape 5 - Arrière Assemblée Canopy.....	39
Étape 6 - Bras Assemblée de Bar.....	40
Le Fonctionnement et L'utilisation Poussette	
Déroulement et Poussette Pliante	40
Les enfants de fixation à la poussette	42
Seat Retour inclinaison Réglage	43
Fonctionnement du frein de parking.....	44
Opération Roue avant pivotante avec frein.....	44
Opération canopée.....	46
Accès de stockage.....	46
Avant l'opération repose-pieds.....	47
Porte-gobelet Assesory.....	47
Entretien Poussette	
Nettoyage.....	48



AVERTISSEMENTS



Le non-respect de ces avertissements et les instructions d'assemblage pourrait entraîner des blessures graves ou la mort.

Éviter des blessures graves aux enfants de tomber ou de glisser Out:

- **TOUJOURS** utiliser harnais pour retenir chaque enfant.
 - De bien ajuster le harnais autour de chaque enfant.
 - Ne laissez **JAMAIS** un enfant sans surveillance, même quand il dort.
- Toujours garder les enfants en vue.
- **NE PAS** laisser les enfants grimper sur la poussette ou debout sur le siège.

Éviter des blessures graves aux enfants:

- Ne laissez pas votre enfant jouer avec ce produit.
- Cet appareil de sécurité n'est pas adapté aux enfants de moins de 6 mois.
- Ce produit n'est pas approprié pour les coureurs ou le patinage.
- **NE PAS** laisser les enfants s'asseoir ou se tenir dans le panier de stockage.
- Faites preuve de prudence lorsque l'on pousse la poussette près de la circulation ou à très les zones congestionnées.
- **NE PAS** utiliser la poussette dans les escaliers ou les escaliers mécaniques avec des enfants en elle.
- **NE PAS** soulever la poussette par clé de bras.

Éviter la perte de contrôle de la poussette:

- **TOUJOURS** utiliser avant verrous tournants de la roue en poussant la poussette sur un terrain accidenté.
- Faites preuve de prudence lorsque l'on pousse la poussette sur un terrain ou sur les collines inégale.
- Mettez toujours le frein de stationnement lorsque la poussette est arrêtée.
- **NE JAMAIS** laisser la poussette sans surveillance sur une colline ou incliner même lorsque le frein de stationnement est activé.

Éviter les blessures de la poussette de basculer:

- **NE PAS** laisser les enfants monter dans la poussette sans, ou à jouer ou s'accrocher à la poussette.
- Ne pas surcharger la poussette car elle peut devenir instable.
- Ne pas transporter plus d'un enfant par siège.
- **NE PAS** placer parcelles supplémentaires ou de marchandises dans ou sur la poussette.
- Ne pas ajouter de paquet portant accessoires ou raccrochez articles de la poussette.
- Ne placez pas plus de 15 livres. (6,7 kg) dans le panier de stockage.
- **TOUJOURS** distribuer le poids uniformément possible sur chaque côté de la poussette

Évitez le pincement des blessures:

- Gardez vos doigts des joints articulés lors du pliage et de dépliage poussette.
- Lors des réglages, assurez-vous toujours le corps de tous les enfants parties sont libres de toutes les pièces mobiles.
- Pour éviter les blessures en sorte que votre enfant est tenu à l'écart quand dépliage et de repliage de ce produit



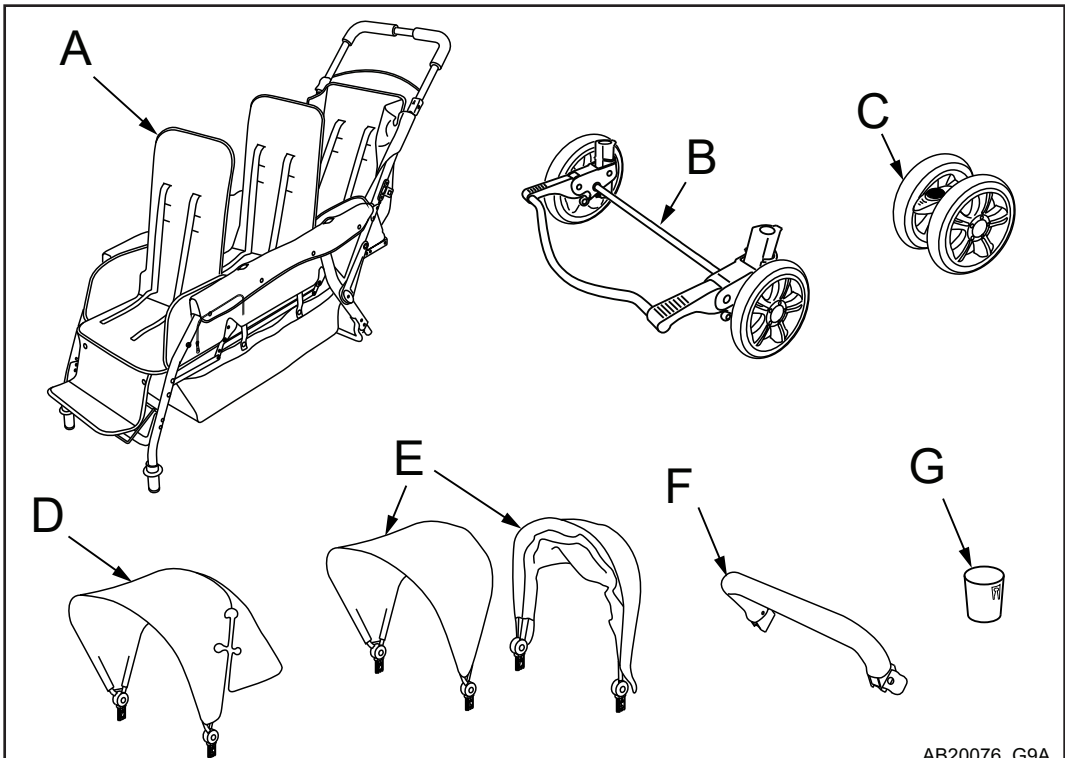
AVERTISSEMENTS



- Danger d' 'étranglement - Poussette matériel d'assemblage comprend petit parties. Rangez-les hors de portée des enfants.
- Les sacs en plastique peuvent provoquer la suffocation. Garder le sac en plastique loin de enfants. Retirez et jetez les sacs en plastique.
- Pincez danger - Gardez les mains éloignées des pièces en mouvement pendant assemblage, le pliage et le dépliage.
- Accessoires non inclus ou approuvé par les Gaggie® ne doivent pas être utilisé.

LISTE DES PIÈCES

Référence	Description	Quantité
A.	Assemblée du cadre Poussette	1
B.	roue arrière et l'ensemble de freinage	1
C.	Assemblée roue avant	2
D.	Canopy arrière	1
E.	Avant et Centre Canopy	2
F.	Arm Bar	1
G.	Titulaire Coupe	1



AB20076 G9A

--- ENSEMBLE POUSETTE ---

ÉTAPE 1 Poussette Déroulement

Déroulement poussette pour l'assemblage.

Placez Assemblée Frame Poussette (A) sur un sol propre avec poignée et tubes sièges sur le dessus.

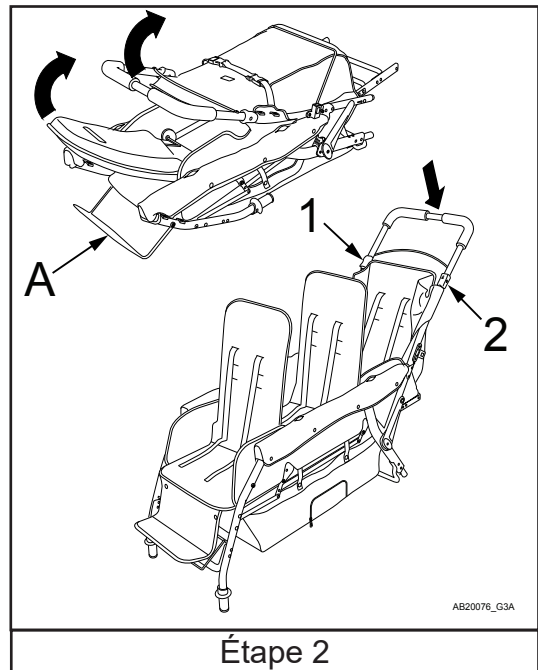
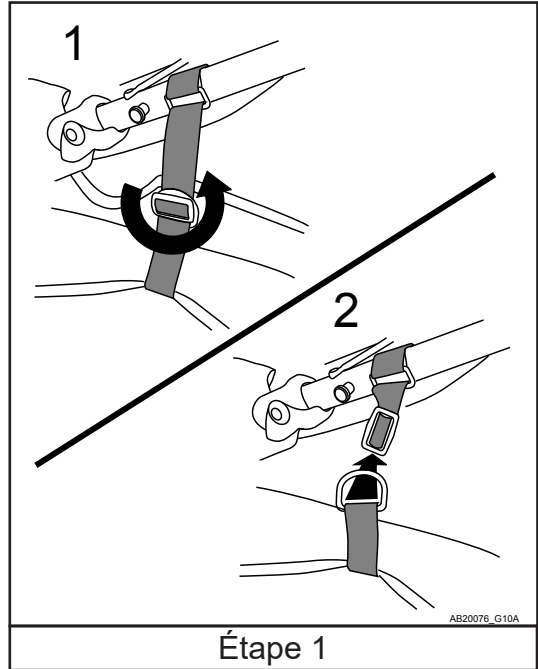
Détacher la sangle de maintien boucle carrée en plastique en tournant de 90 degrés (1) et passant à travers le plastique "D" anneau (2).

Voir la Étape1.

Tirez sur la poignée pour dérouler Assemblée poussette Cadre (A). Une fois déplié poussette est appuyer sur la poignée rouge jusqu'à Fold déverrouillage (1, 2) sur les deux côtés des clics de la poignée en place.

Assurez-vous que cadre Poussette Assemblée est sécurisé et ne retourne pas à la position repliée.

Voir la Étape 2.



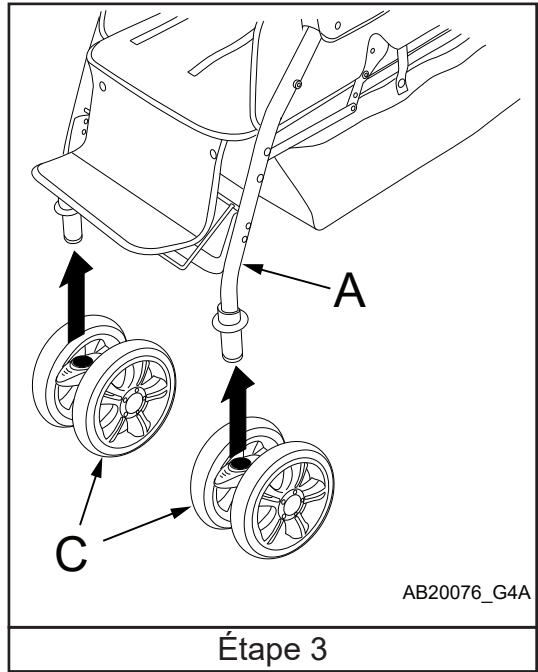
ÉTAPE 2 Assemblée Roue Avant

Assemblez Assemblée à l'Assemblée
Frame poussette roue avant.

Aligner Col de roue avant Assemblée (C)
AVEC de l'arbre de montage de poussette
ensemble de cadre (A). Poussez le collier
jusqu'à ce que la roue avant Assemblée (C)
s'enclenche avec un clic.

Voir la Étape 3.

Remarque: Pour le démontage possible
il ya un onglet de presse sur le fond à
l'intérieur du col de l'Assemblée roue avant.
Pour l'option directionnelle de poussette de
roue de verrouillage voir la section
Fonctionnement.



ÉTAPE 3 Assemblage de la roue arrière

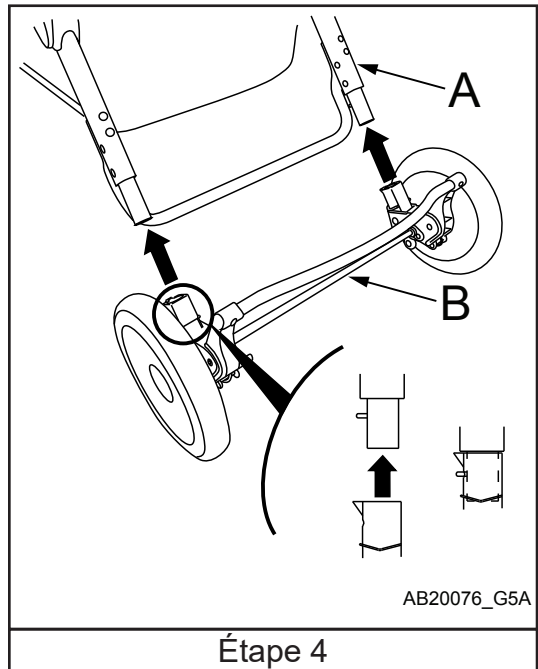
Monter la roue arrière et frein Poussette
Assemblée Frame à l'Assemblée.

Les deux colliers de roue arrière Alignez et
l'ensemble de freinage (B)
arbres de montage de poussette ensemble
de cadre (A). Poussez vers le haut jusqu'à
ce que l'Assemblée des roues et des freins
arrière (B) serrures de collier en place avec
un clic. Si le bouton à ressort saillie entière-
ment dans le trou de la roue arrière et frein
Collier de montage (B)

Voir la Étape 4.

Remarque: Pour le démontage possible de
la roue arrière et l'ensemble de freinage,
entièrement
bouton pour libérer printemps déprimer
ensemble.

Pour frein de roue possibilité Poussette voir
la section Fonctionnement.



ÉTAPE 4 Avant et du Centre Assemblée Canopy

Assemblez avant et du centre Assemblée Canopy pour poussette.

Alignez onglet printemps (2) de Canopy Ensemble (E) à travers l'ouverture dans le tissu de l'accoudoir (1) et en voûte de retenue (3). Assemblée s'enclenche avec un clic.

Répétez l'opération pour les deux côtés.

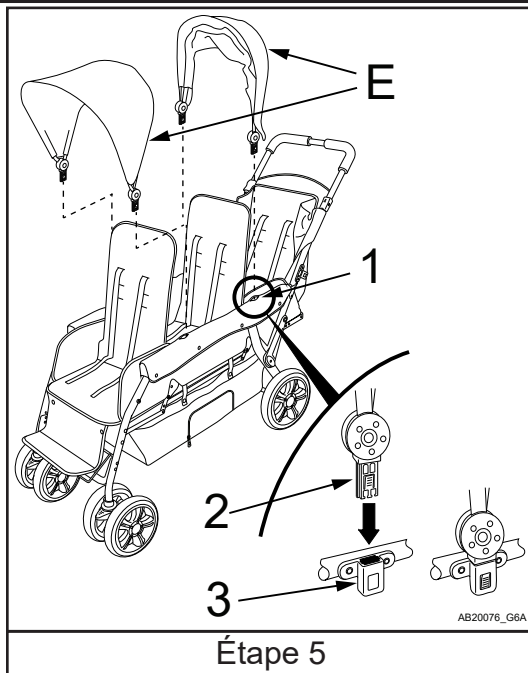
Pour supprimer Assemblée Canopy déprimer onglet printemps jusqu'à ce qu'il libère de la retenue de la canopée.

Si l'onglet ne libère pas facilement, vous pouvez utiliser un tournevis à tête plate ou égal outil pour appuyer l'onglet de printemps.

Voir la Étape 5.

Remarque:

Pour frontale et Centre Poussette Canopy voir la section Fonctionnement.



ÉTAPE 5 Arrière Assemblée Canopy

Assemblez arrière Assemblée Canopy pour poussette.

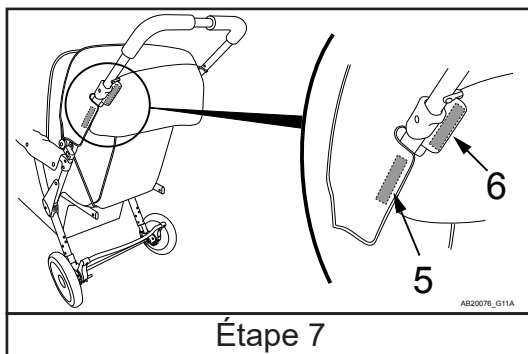
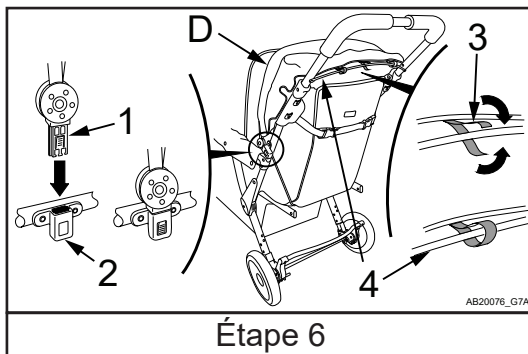
Alignez onglet printemps (1) de Canopy arrière Assemblée (D) dans la canopée de retenue (2). Assemblée s'enclenche avec un clic. Sécurisés bandes Velcro (3) autour l'arc de la canopée (4).

Voir la Etape 6.

Envelopper la partie inférieure de la voile (5) autour de l'extérieur du cadre de poignée et appuyer sur les pattes de crochet et de boucle ensemble. Enveloppez la partie supérieure de la canopée (6) autour de l'intérieur du cadre de la poignée et pliage de déverrouillage et appuyez sur les languettes de crochet et boucle ensemble. Pour supprimer Canopy crochet de déballer et de fixation de la boucle, appuyez sur la patte de ressort et tirez sur l'Assemblée Canopy.

Voir la Étape 7.

Remarque: Pour un fonctionnement Canopy arrière voir la section Fonctionnement poussette.

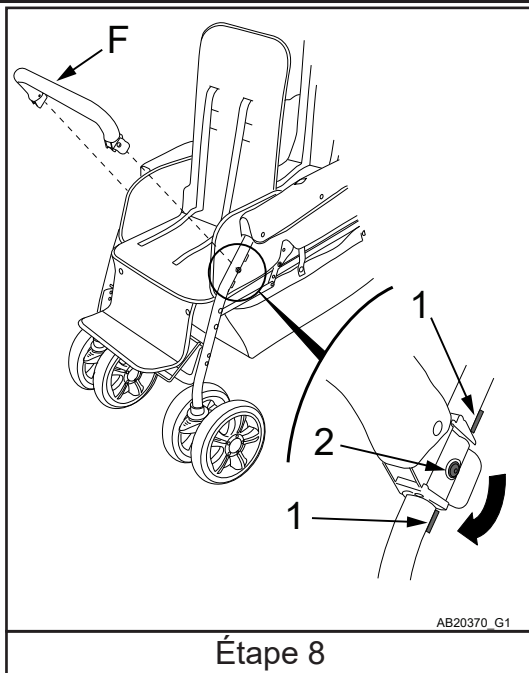


ÉTAPE 6 Bras Assemblée Bar

Assemblez Bar Bras de poussette

Align Bras Barre (F) pinces entre les barres d'appui s'arrête sur le cadre de la poussette (1). Fermez le levier de verrouillage de la bride sur la barre de bras de sorte que le trou de la bride s'aligne sur le bouton du cadre de la poussette (2). Appuyez sur les pinces jusqu'à ce qu'elles se verrouillent. Voir la Étape 8.

Remarque: Pour supprimer Bar Arm (F) procédure inverse et soulevez pinces à libérer.



Étape 8

--- POUSSETTE FONCTIONNEMENT ET UTILISATION ---

Pliage et dépliage Poussette



AVERTISSEMENTS

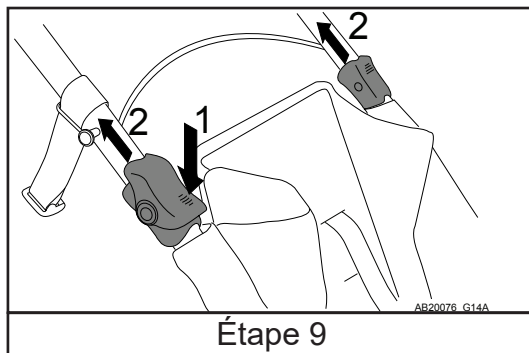


- **Pincez danger - Gardez les mains des pièces mobiles lors de l'assemblage, pliage et dépliage.**
- **Assurez-vous que tous les dispositifs de verrouillage sont enclenchés avant utilisation.**

De plier la poussette.

Remarque: Canopy doit être plié ensemble et sièges à la verticale position pour faciliter l'opération de pliage (1)
Voir la Étape10

Pincez le droit Fold Levier de déverrouillage (1). Tirez les rejets à la fois droite et gauche en arrière, vers la poignée jusqu'à ce que la poignée de presse (2). Poignée de poussée avant après la libération de plier complètement.



Étape 9

Voir la Étape 9 et 10.

Pliage et Dépliage Poussette Suite

De plier la poussette.

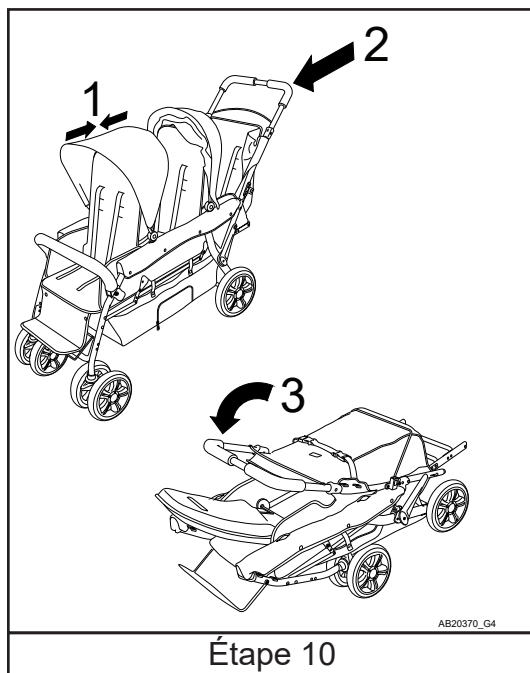
Après poussette est bien pliée (3) insérer boucle carrée en plastique de 90 degrés et le pousser à travers l'anneau "D" dans la bande de correspondance. Tournez la boucle en plastique jusqu'à ce qu'il se mette en place pour garantir la poussette en position fermée.

Voir la Étape11.

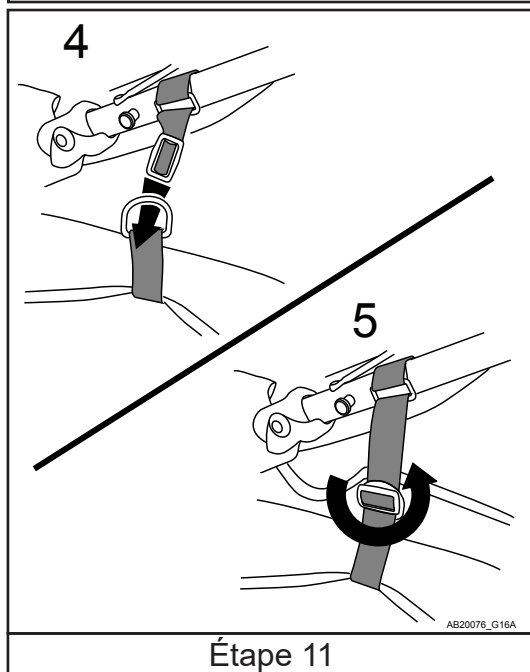
Pour déplier la poussette, la marche arrière.

Lors du dépliage, confirmer que le verrouillage leviers de dégagement sont engagés avec un clic. Appuyez sur la poussette pour s'assurer qu'il ne se plie pas et est sécurisé.

Voir aussi l'étape 1 poussette qui se déroule dans la section Assemblée poussette.



Étape 10



Étape 11



AVERTISSEMENTS



Éviter des blessures graves aux enfants de tomber ou de glisser Out:

- **TOUJOURS** utiliser un harnais pour retenir chaque enfant.
- de bien ajuster le harnais autour de chaque enfant.
- Ne laissez **JAMAIS** un enfant sans surveillance, même quand il dort. Toujours garder les enfants en vue.
- **NE PAS** laisser les enfants grimper sur la poussette ou debout sur le siège.

Sécurisation de l'enfant dans le siège de la poussette.

Avec harnais lieu bouclée enfant dans le siège.

Baudrier (1) doivent être ajustées pour correspondre à la hauteur de l'enfant. Si la hauteur doit ajusté, tourner en conservant boucle et pousser à travers la fente dans le siège.

Remplacer par mettre dans la fente de la bonne hauteur en face de siège et tournant Boucle jusqu'à ce plat contre le siège arrière.

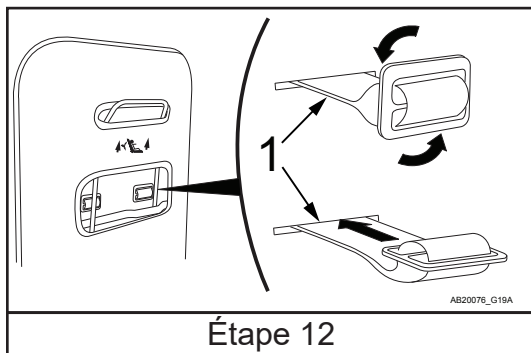
Voir la Étape12.

Sécurité enfant avec le harnais par positionnement sangle d'entre-jambes (4) avec

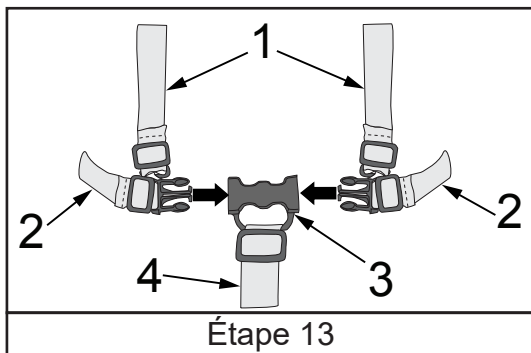
boucle attachée de centre (3) entre les jambes de l'enfant. Lieu épaule (1) et la taille (2) courroies sur les épaules et les cuisses de l'enfant. Insérez et fixez la boucle (1,2) en boucle centrale (3).

Ajuster parfaitement chaque sangle en tirant sur l'extrémité libre de la sangle et se déplaçant le long de la boucle de sangle en plastique.

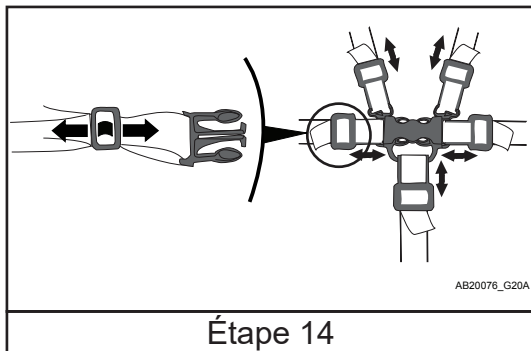
Voir la Étape13 et 14.



Étape 12



Étape 13

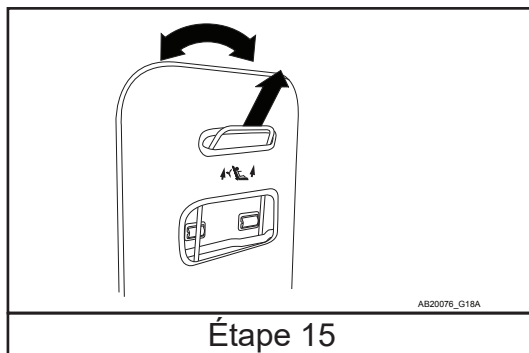


Étape 14

Avant et Siège Arrière Inclinable Centre Ajustement

Avant et Centre inclinaison du siège réglage.

Les sièges ont 2 positions debout et couchée. Pour régler banquette arrière tirer sur la poignée d'inclinaison jusqu'à ce que le siège est libéré. Placez le siège dans la position désirée et relâcher la poignée. Assurez-vous que le siège est fixé en position après avoir relâché la poignée. Vérifier le faisceau de la sécurité après ajustement la position du siège.



Voir la Étape15.

Remarque: le siège doit être en position verticale pour plier la poussette.

Siège Arrière Inclinable Réglage

Réglage de l'inclinaison du siège arrière.

La banquette arrière a 2 positions verticales et inclinées.

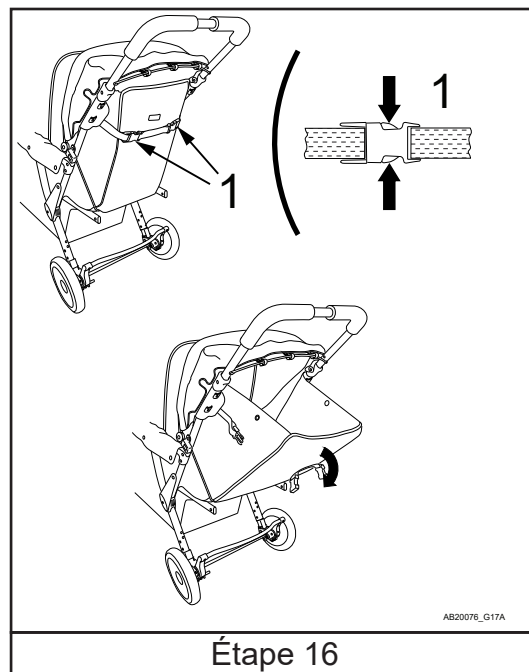
Pour incliner le dossier, maintenez le siège dans la position verticale et appuyez sur les languettes de la boucle pour libérer les deux boucles (1).

Abaisser le siège en position.

Pour relever le siège en position verticale, le relever et attacher les deux boucles (1) ensemble. Vérifiez que les boucles sont bien engagées avant de relâcher le dossier.

Voir la Étape16.

Remarque: le siège doit être en position verticale pour plier la poussette



Fonctionnement du Frein de Parking



AVERTISSEMENTS



- **Toujours verrouiller le frein de stationnement lorsque la poussette est arrêtée et quand chargement et de déchargement des enfants.**

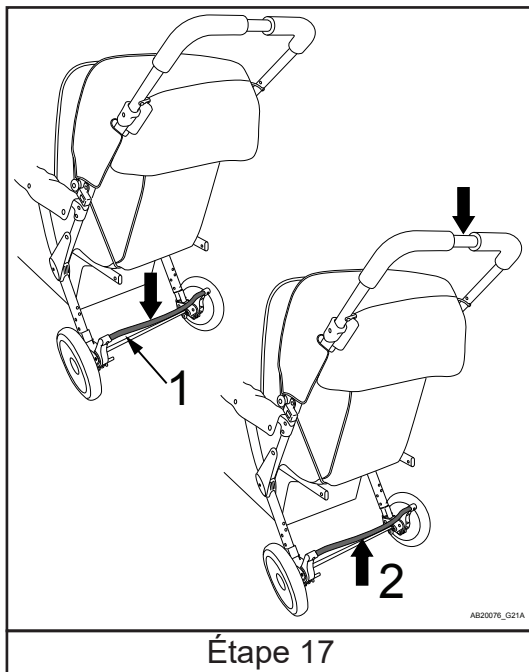
Verrouillage frein de stationnement.

Appuyez sur blocage du frein de parking bar (1) sur la roue arrière et frein Assemblée. Vérifiez que les roues sont bloquées.

Libérer le frein de stationnement.

Tout en appuyant sur la poignée, le lieu orteil sous la barre de verrouillage du frein de stationnement, puis soulevez.

Voir la Étape17.



Armez-Bar Retrait et Remplacement

Reportez-vous à Étape 6 dans les Instructions de montage poussette pour l'enlèvement et le remplacement Bar bras

Roue Avant Pivotante Operation Lock



AVERTISSEMENTS



- **Toujours utiliser avant verrous tournants de la roue en poussant la poussette sur un sol inégal.**

Roue Avant Pivotante Operation Lock

Verrouillage des roues avant pivotante.

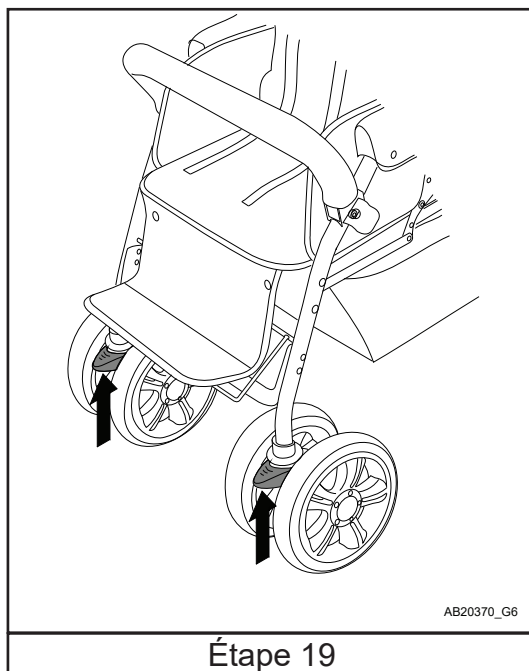
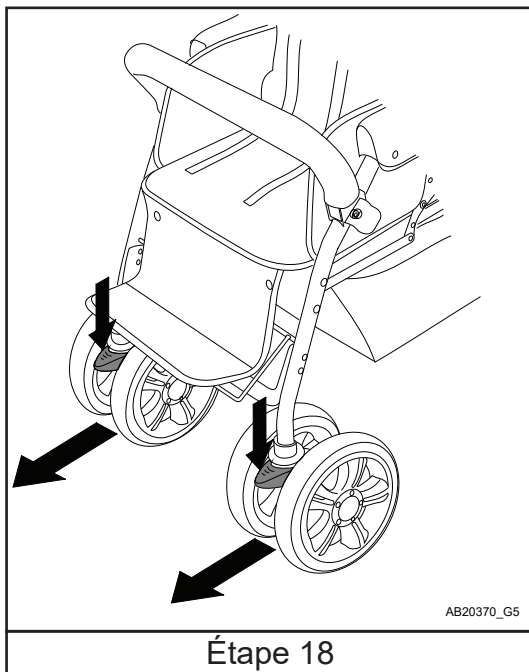
Aligner les roues avant de telle sorte qu'elles sont droites dans le sens de la poussette aller de l'avant. Verrouillage pivotant sur roues doit être aligné avec la piste de verrouillage pivotant sur des postes de cadre de la poussette.
Appuyez sur l'onglet de verrouillage pivotant jusqu'à ce qu'il se mette en place. Voir roues avant sont verrouillées en place.

Répétez l'opération pour les deux ensembles de roues avant.
Voir la Étape 18.

Pour déverrouiller pousser sur les deux languettes de blocage de pivotement au maximum. Les roues doivent tourner librement.

Répétez l'opération pour les deux ensembles de roues.

Voir la Étape19.



Opération Canopée

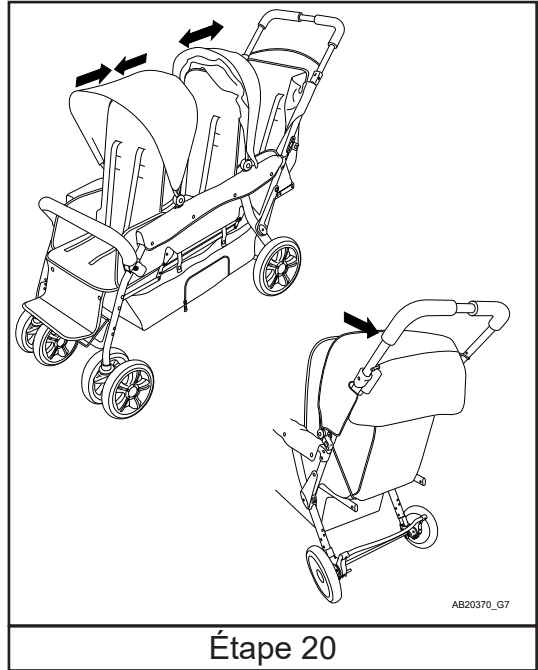
Opération Canopy.

La frette avant de chaque section de voile se déplace vers l'avant ou se rétracte vers l'arrière comme on le souhaite.

Voir la Étape 20.

Pour le retrait de la canopée et l'attachement voir l'étape 4 et 5 dans la poussette section d'assemblage.

Notes: marquises doivent être pleinement rétractée avant de plier la poussette. Ils n'ont pas besoin retiré à moins souhaité autrement.



Étape 20

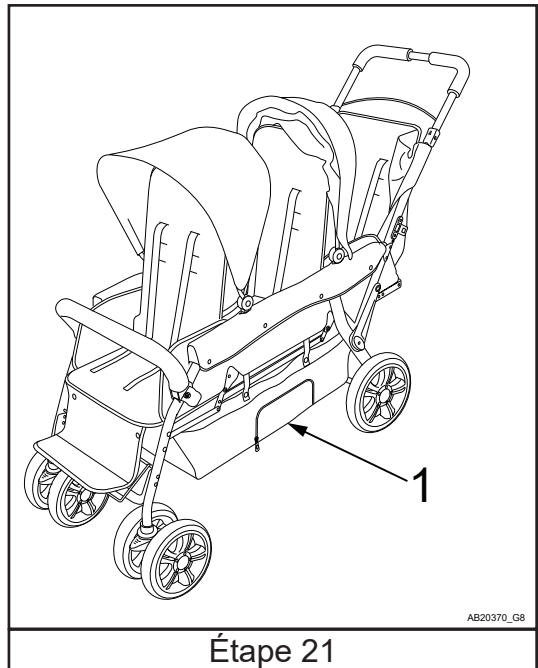
Accès au stockage

L'accès de stockage

Pour faciliter l'accès à la zone de stockage inférieure d'une porte d'accès avec fermeture à glissière est prévue sur le côté.

Ne pas placer plus de 15 livres. (6,7 kg). dans la zone de stockage.

Voir la Étape 21.



Étape 21

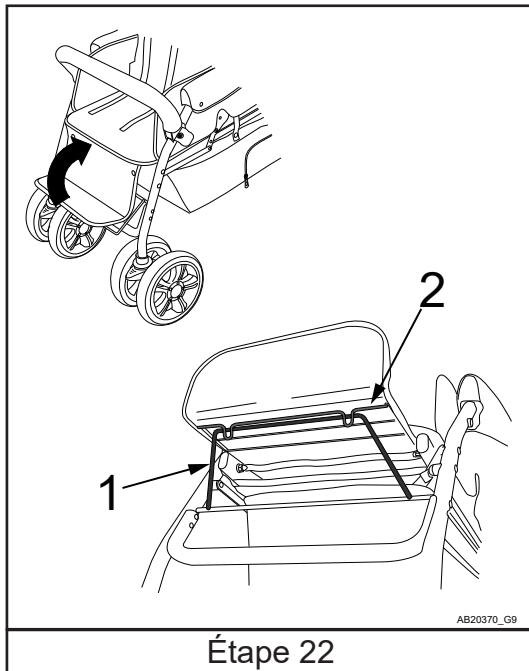
Avant l'opération Repose-Pieds

Fonctionnement repose-pieds avant.

Balancer repose-pieds vers le haut jusqu'à ce que même avec le siège. Balançoire barre repose-pieds de retenue vers le haut jusqu'à ce qu'il passe derrière le languettes de retenue sur le repose-pied.

Pour placer légèrement repose-pieds bas ascenseur jusqu'à ce que les oscillations de la barre repose-pieds de retenue vers le bas et libère les pattes du repose-pied.

Voir la Étape 22.

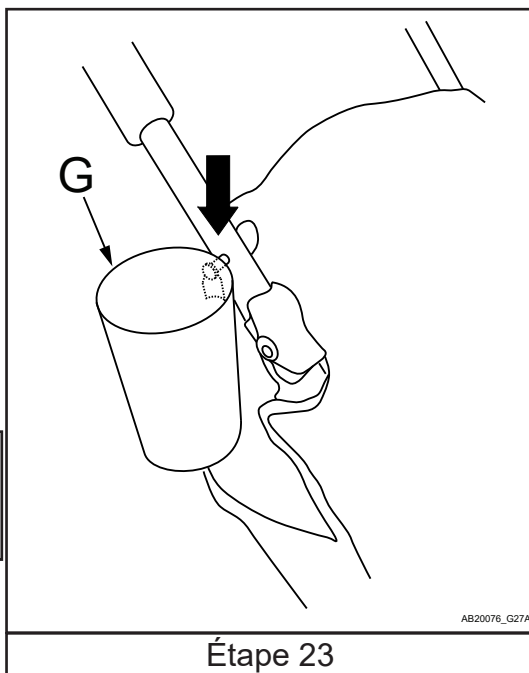


Assemblée de Gobelet

Assemblée de gobelet

Poussez vers le bas Porte-gobelet (G) pour fixer en place. Porte-gobelet fente clé s'insère dans bouton sur le côté de la poignée de la poussette.

Voir la Étape 23.



• Utilisez uniquement Gaggle® fourni ou accessoires approuvés pour cette poussette.

Nettoyage sièges, harnais, accoudoirs, barre de bras et de l'auvent:

1. lavage de surface uniquement avec une solution douce d'eau et du savon.
2. Rincer à l'eau pour éliminer la solution de savon.

Nettoyage Poussette:

1. Surface cadre lavage de la poussette, les pièces en plastique et en tissu avec une solution douce de savon et de l'eau. Essuyer les surfaces avec de l'eau pour éliminer la solution de savon.
2. Essuyez ou de l'air sec.

GAGGLE®

5216 Portside Dr, Medina, OH 44256 USA
Tel: 1 234.400.0724 • FAX: 1 330.722.5037
gogagglego.com

WICHTIG - SORGFÄLTIG DURCHLESEN UND FÜR DIE ZUKUNFT HALTEN REFERENZ

Trio Gaggle® Compass™ Kinderwagen **Modelles: 9909032, 4130XX9**

**FÜR DEN KUNDENDIENST RUFEN
1-234-400-0724. RUFEN SIE NICHT
HÄNDLER ODER WIEDERVERKÄUFER
SERVICE, DA SIE NICHT DAZU
BERECHTIGT, DIESE SERVICE-THEMEN
LÖSEN.**

**FÜR GARANTIE UND BUNDESSICHERHEITSNORM
Konformitätsbescheinigungen besuchen Sie bitte unsere
WEBSITE UNTER gogagglego.com**

Montagehilfe

WICHTIG: Bewahren für die Zukunft. Lesen Sie sorgfältig. Gaggle® strebt nach höchster Qualität in unseren Produkten, sondern gelegentlich ein fehlendes Teil oder Problem kann auftreten, während Montage. Sollten Teile fehlen oder kaputt oder Sie müssen Unterstützung bei der Montage, NICHT das Produkt zu Ihrem Händler zurück. Besuchen Sie unsere Website unter: gogagglego.com oder rufen Sie um Hilfe bei Gaggle® 1-234-400-0724 (Montag bis Freitag, 09.00 am- 04.00 Eastern Time). Bitte halten Sie die Modellnummer und das Herstellungsdatum verfügbar, wenn Sie an oder schreiben Sie uns an: Gaggle® Strollers Foundations Worldwide, Inc. 5216 Portside Dr. Medina, OH. 44256

BAUANLEITUNG

- Erwachsene Montage erforderlich.
- Lesen Sie alle Anweisungen vor der Montage und USE Produkt.
- Packen Karton, Verpackungsmaterial entfernen, einschließlich Mehrzwecktasche. Identifizieren und überprüfen Sie alle Teile.



Farbe und Stil können variieren

Notieren Sie die Informationen für Ihre Produkt hier auf dem Rahmenrohr gefunden.

Modellnummer: _____

Herstellungsdatum: _____

PO Anzahl: _____



ACHTUNG



**Dieser Kinderwagen ist für den Einsatz von nicht mehr als 3 Kinder
Für die Verwendung bei Kindern mit einem Gewicht von max. 40 lbs (gemäß US
16 CFR 1227 und 15 kg max. Gemäß BS EN 1888).**

**Zur Verwendung mit Kindern, deren Höhe 45 cm (114 cm) oder weniger.
Kinder müssen in den Sitzen mit Kabelbaum richtig eingestellt geknickt werden.**

Inhaltsverzeichnis

Inhaltsverzeichnis	50
Warnhinweise	51
Montageanleitung	
Werkzeuge und Teile.....	52
Schritt 1 Entfaltung Kinderwagen für Montage.....	53
Schritt 2 - Vorderradanordnung.....	54
Schritt 3 - Hinterradanordnung.....	54
Schritt 4 - Front-und Dachaufbau-Center.....	55
Schritt 5 - Rück Canopy Versammlung.....	55
Schritt 6 - Arm Bar Versammlung.....	56
Kinderwagen Betrieb und die Nutzung	
Entfaltung und Folding Kinderwagen.....	56
Kinder im Kinderwagen sichern.....	58
Rückenlehnen-Verstellung Einstellung.....	59
Stellbremsvorgang.....	60
Vorderrad Dreh Sperre Bedienung.....	60
Canopy Betrieb.....	62
Speicherzugang.....	62
Vordere Fußstütze Betrieb.....	63
Becherhalter folgendes.....	63
Kinderwagen Wartung	
Reinigungs.....	64



ACHTUNG



Nichtbeachtung dieser Warnungen und Montageanleitungen konnte zu schweren Verletzungen oder Tod.

Vermeiden Sie schwere Verletzungen von Kindern von fallenden oder Schiebe Out:

- **Verwenden Sie immer Baum, jedes Kind zurückzuhalten.**
- **Kuschel einstellen Geschirr um jedes Kind.**
- **Lassen Sie Kinder nie unbeaufsichtigt, auch beim Schlafen. Halten Sie Kinder im Blick.**
- **NICHT zulassen, dass Kinder auf Kinderwagen zu klettern oder stehen in Sitz.**

Vermeiden Sie schwere Verletzungen von Kindern:

- **NICHT lassen Sie Ihr Kind mit diesem Produkt spielen.**
- **Diese Sitzeinheit ist nicht geeignet für Kinder unter 6 Monaten.**
- **Dieses Produkt ist nicht geeignet für Laufen oder Skaten.**
- **NICHT zulassen, dass Kinder sitzen oder stehen im Ablagekorb NICHT.**
- **Seien Sie vorsichtig, wenn schieben Kinderwagen in der Nähe von Verkehr oder in stark Ballungszentren.**
- **Verwenden Sie Kinderwagen auf Treppen oder Rolltreppen mit Kindern in sie.**
- **KEINE Kinderwagen zu heben durch Arm-Bar.**

Vermeiden Verlust der Kontrolle über Kinderwagen:

- **Verwenden Sie immer Vorderrad Drehsperrern, wenn schieben Kinderwagen auf unebenem Gelände.**
- **Seien Sie vorsichtig, wenn schieben Kinderwagen auf unebenem Gelände oder die Hügel.**
- **IMMER die Feststellbremse, wenn der Kinderwagen wird angehalten.**
- **Lassen Sie niemals unbeaufsichtigt Kinderwagen auf einem Hügel oder neigen sogar wenn Parkbremse gesetzt.**

Vermeiden Sie Verletzungen durch Umkippen Kinderwagen:

- **NICHT zulassen, dass Kinder in Kinderwagen ohne fremde Hilfe zu klettern, oder zu spielen oder hängen auf Kinderwagen.**
- **Legen Sie nicht Kinderwagen, da sie instabil werden.**
- **NIEMALS mehr als ein Kind pro Sitzplatz.**
- **Stellen Sie KEINE zusätzliche Pakete oder Waren in oder auf dem Kinderwagen.**
- **Fügen Sie keinen Verpackungstrage Zubehör oder hängen Artikel von Kinderwagen.**
- **KEINE mehr als £ 15 DO. (6.7kg) in Ablagekorb.**
- **IMMER verteilen das Gewicht so gleichmäßig wie möglich auf jeder Seite des Kinderwagens.**

Vermeiden Pinch Verletzung:

- **Halten Sie die Finger von Gelenken beim Falten und Entfalten Kinderwagen.**
- **Bei der Einstellung, immer alle Kinder Körpers zu gewährleisten Teile sind frei von beweglichen Teilen.**
- **Um Verletzungen zu vermeiden, sorgen dafür, dass Ihr Kind weg, wenn gehalten Entfaltung und Falten dieses Produkt.**



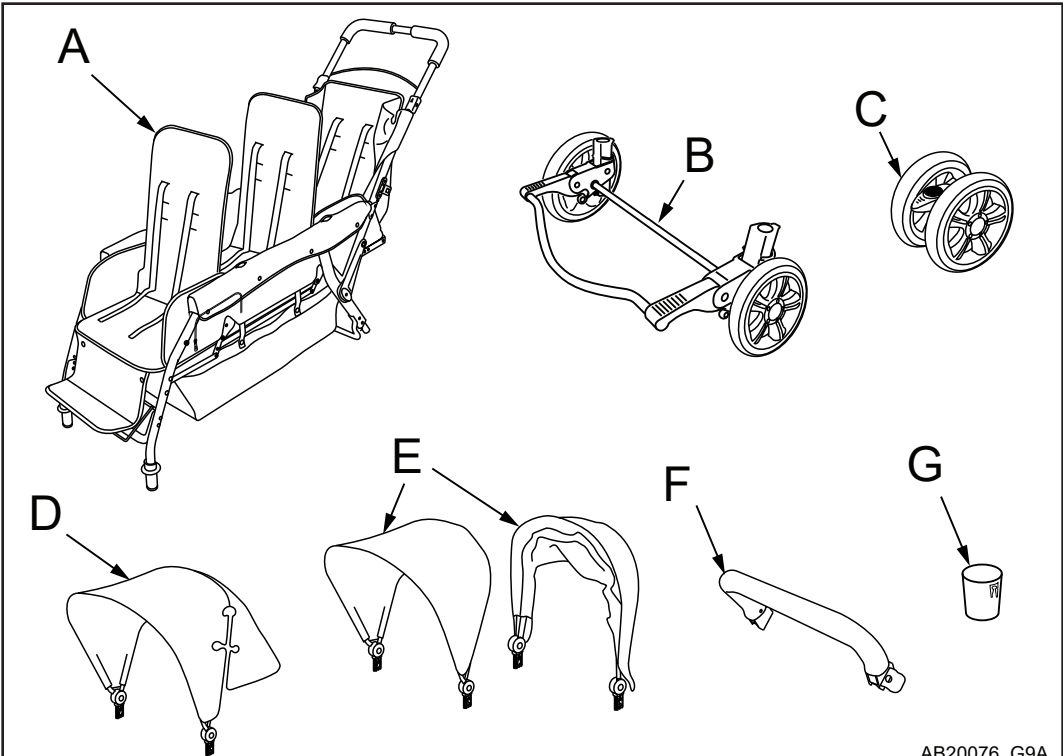
ACHTUNG



- **Erstickungsgefahr - Kinderwagen Montage-Hardware umfasst kleine Teile. Halten Sie kleine Teile von Kindern fern.**
- **Kunststoffbeutel können zum Ersticken führen. Halten Sie Kunststoffbeutel von Kinder. Entfernen und entsorgen Plastiktüten.**
- **Klemmgefahr - Halten Sie Ihre Hände von beweglichen Teilen während Montage, Faltung und Entfaltung.**
- **Von Gaggle® nicht mitgeliefertes oder genehmigtes Zubehör darf nicht verwendet werden gebraucht.**

TEILLISTE

Teil Beschreibung	Menge
A. Kinderwagen Frame Assembly	1
B. Hinterrad und Bremsanlage	1
C. Vorderradanordnung	2
D. Hinter Canopy	1
E. Front-und Center-Überdachung	2
F. Arm-Bar	1
G. Becherhalter	1



AB20076 G9A

SCHRITT 1 Entfaltung Kinderwagen

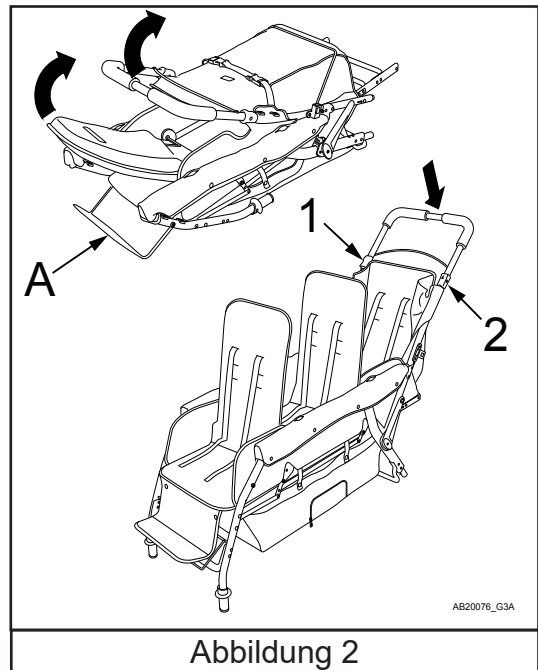
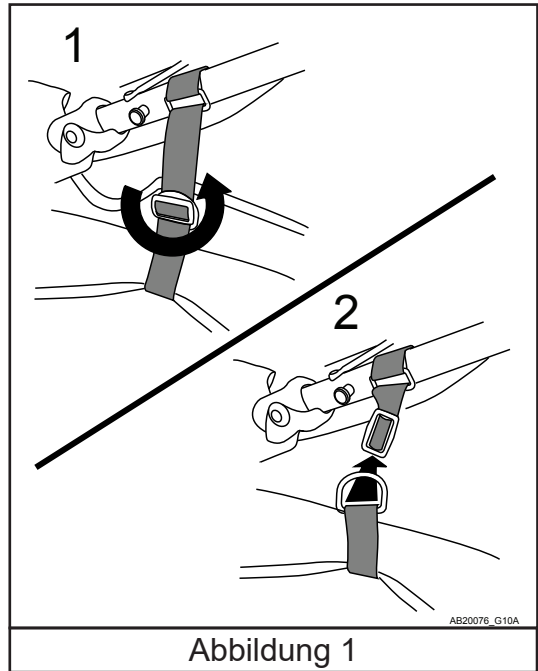
Entfaltung Kinderwagen für die Montage.

Zeigen Kinderwagen Frame Assembly (A) auf einem sauberen Boden mit Griffrohr und Sitze an der Spitze. Abschnallen Halteband durch Drehen quadratischen Kunststoffschlaufe 90 Grad (1) und man es durch die Kunststoff-"D"-Ring (2).

Siehe Abbildung 1.

Ziehen Sie am Griff, um zu entfalten Kinderwagen Frame Assembly (A). Kinderwagen einmal entfaltet drücken Sie auf Griff, bis die rote Falzschlüssel Mitteilung (1, 2), auf beiden Seiten der Griff einrastet. Überprüfen, um sicherzustellen, Kinderwagenrahmen machen Die Montage ist sicher und nicht gefaltet Position zurück.

Siehe Abbildung 2.



SCHRITT 2 Vorderradanordnung

Montieren Sie Vorderradanordnung zu Frame Assembly Kinderwagen.

Richten Kragen der Vorderrad Montage (C) mit Montagewelle Kinderwagen Frame Assembly (A). Push-up am Kragen, bis das Vorderrad Montage (C) einrastet mit einem Klick.

Siehe Abbildung 3.

Hinweis: Bei der Demontage möglich gibt es eine Release Lasche auf der Unterseite Innenseite der Vorderradanordnung Kragen.

Für Rad Richtungs-fests Option finden Sie im Abschnitt Betrieb Kinderwagen.

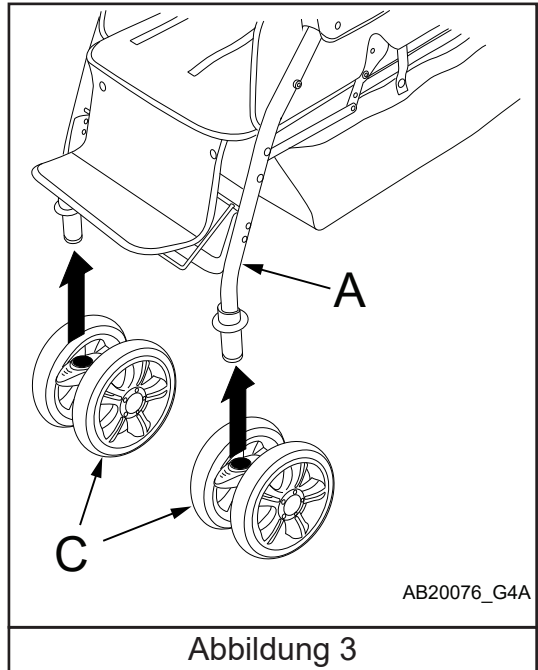


Abbildung 3

SCHRITT 3 Hinterradanordnung

Montieren Hinterrad und Bremse
Versammlung Kinderwagengestell
Versammlung.

Richten Sie die beiden Kragen von Hinterrad und Bremsanlage (B) mit Befestigungswellen von Kinderwagen Rahmenanordnung (A). Push up, bis das Hinterrad und Bremsanlage (B) Kragen rastet mit einem Klick. Die Feder-Taste sollte vollständig durch das Loch im Hinterrad und Bremsanlage Montage (B)

Siehe Abbildung 4.

Hinweis: Für mögliche Demontage der hinteren Rad- und Bremsanlage, voll Federknopf drücken, um frei Montage.
Für Radbremse Option finden Sie im Abschnitt Betrieb Kinderwagen.

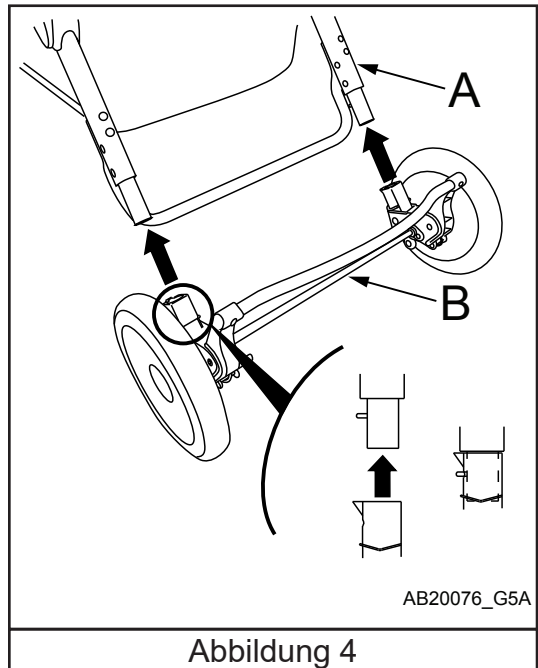


Abbildung 4

SCHRITT 4 Vordere und Mittleren Dachaufbau

Montieren vordere und mittleren Dachaufbau zu Kinderwagen.

Richten Federzunge (2) von Canopy Anordnung (E) durch die Öffnung in dem Tuch Armlehne (1) und in die Haube Halter (3). Montage einrastet mit einem Klick. Wiederholen Sie das für beide Seiten.

So entfernen Sie Canopy Versammlung drücken Federzunge, bis sie aus den Baumkronen Haltemitteilungen. Wenn die Registerkarte nicht leicht loslassen können Sie einen Schraubenzieher oder gleich Tool verwenden, um die Registerkarte Feder zu drücken.

Siehe Abbildung 5.

Hinweis:

Für vordere und mittleren Canopy Betrieb finden Sie in der Kinderwagen Abschnitt Betrieb.

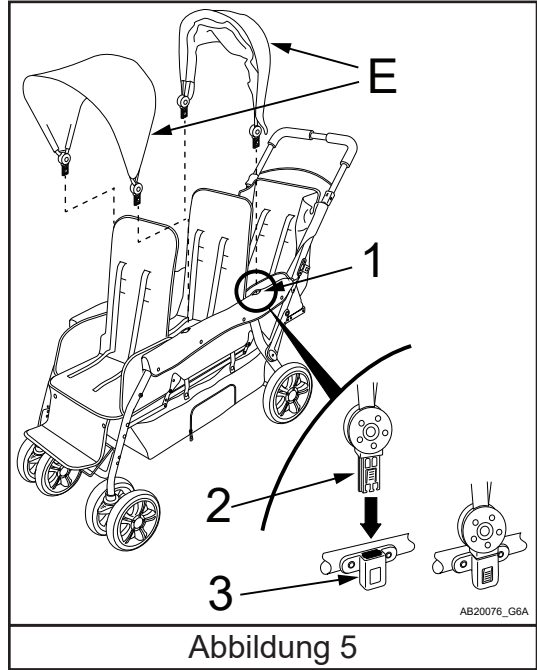


Abbildung 5

SCHRITT 5 Rück Canopy Versammlung

Montieren Sie hinten Canopy Versammlung Kinderwagen.

Richten Federzunge (1) der hintere Haube Versammlung (D) in Himmelhalter (2). Montage einrastet mit einem Klick.

Sichere Klettband (3) um der Baldachin Bogen (4).

Siehe Abbildung 6.

Wickeln Sie den unteren Teil des Canopy (5) um die Außenseite des Griffrahmen und drücken Sie die Klettflaschen zusammen.

Wickeln Sie den oberen Teil des Canopy (6) um die Innenseite der Griffrahmen und Falzschlüssel Mitteilung und drücken Sie die Klettflaschen zusammen.

Canopy unwrap Klettverschlüsse zu entfernen, drücken Sie auf die Registerkarte Frühjahr und ziehen Sie auf der Canopy Versammlung.

Siehe Abbildung 7.

Hinweis: Für die Rück Canopy Betrieb finden Sie in der Kinderwagen Abschnitt Betrieb.

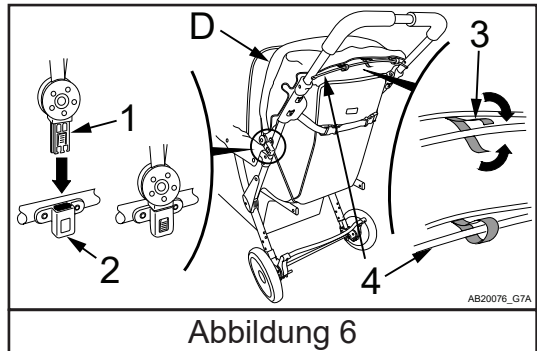


Abbildung 6

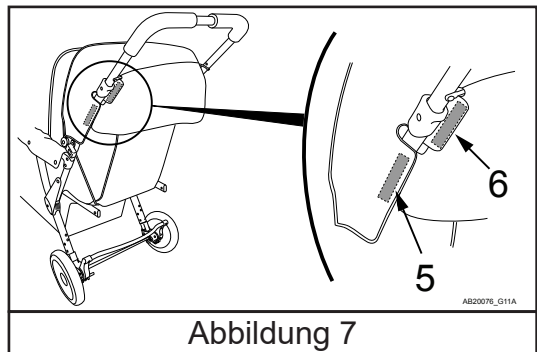


Abbildung 7

SCHRITT 6 Arm Bar Versammlung

Arm montieren Bar auf Kinderwagen

Arm Bar (F) Schellen zwischen Arm Bar hält auf Kinderwagenrahmen (1). Schließen Klemmverriegelungshebel am Arm bar, so dass Loch in Klammer ausgerichtet Taste auf Kinderwagengestell (2).

Drücken Sie auf Schellen, bis sie einrastet.

Siehe Abbildung 8.

Hinweis: Um Arm Bar (F) in umgekehrter Reihenfolge zu entfernen, und heben Sie Schellen zu lösen.

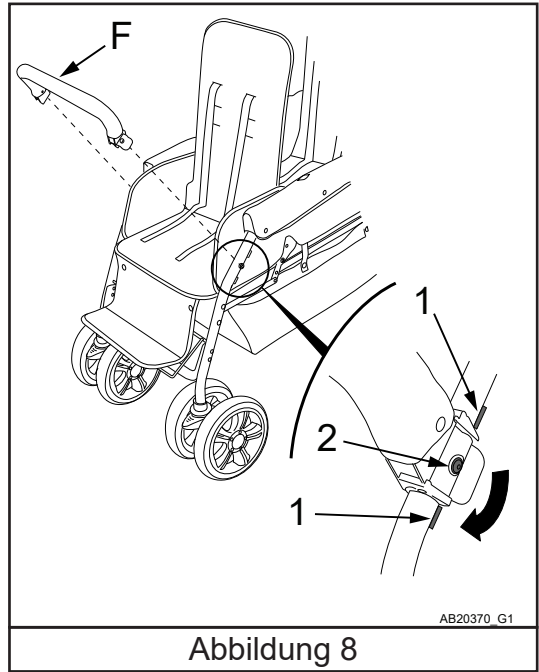


Abbildung 8

--- KINDERWAGEN BETRIEB UND NUTZUNG ---

Faltung und Entfaltung Kinderwagen



ACHTUNG



- **Klemmgefahr - Halten Sie Ihre Hände von beweglichen Teilen während der Montage, Faltung und Entfaltung.**
- **Stellen Sie sicher, dass alle Verriegelungsvorrichtungen werden vor der Anwendung beschäftigt.**

Klappkinderwagen.

Hinweis: Überdachungen sollte gefaltet werden

zusammen und Sitze in aufrechter Stand für einfachere Faltvorgang.

Siehe Abbildung 10.

Squeeze zusammen auf der rechten Falte Lösehebel (1). Ziehen Sie die beiden rechts und links rückwärts in Richtung Mitteleisen, bis der Griff Mitteleisen (2). Schiebegriff vorwärts nach der Entlassung vollständig falten.

Siehe Abbildung 9 und 10.

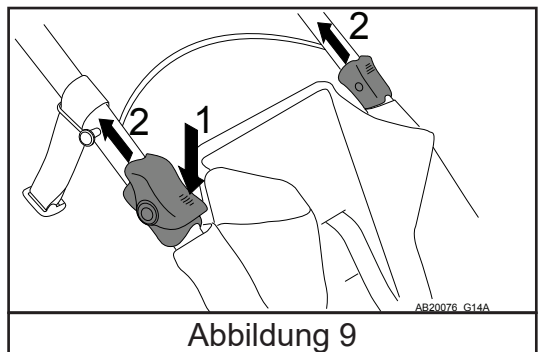


Abbildung 9

Faltung und Entfaltung Kinderwagen Fortsetzung

Klappkinderwagen.

Nach Kinderwagen ist komplett gefaltet (3) einfügen quadratischen Kunststoffschleife 90 Grad und schieben sie durch den "D"-Ring in der passenden Gurt. Drehen Sie den Kunststoff-Schleife, bis es fängt an Ort und Stelle, um Kinderwagen in der geschlossenen Position zu sichern.

Siehe Abbildung 11.

Kinderwagen zu entfalten, Rückwärtslauf.

Beim Ausklappen, bestätigen, dass die Sperre Release Hebel sind mit einem Klick engagiert. Drücken Sie auf Kinderwagen, um sicherzustellen, dass es nicht klappt und sicher ist. Siehe auch Schritt 1 Entfaltung Kinderwagen im Kinderwagen Versammlung Abschnitt.

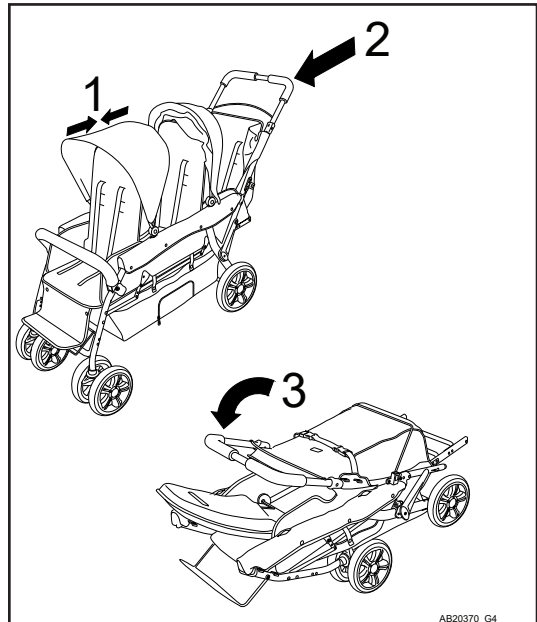


Abbildung 10

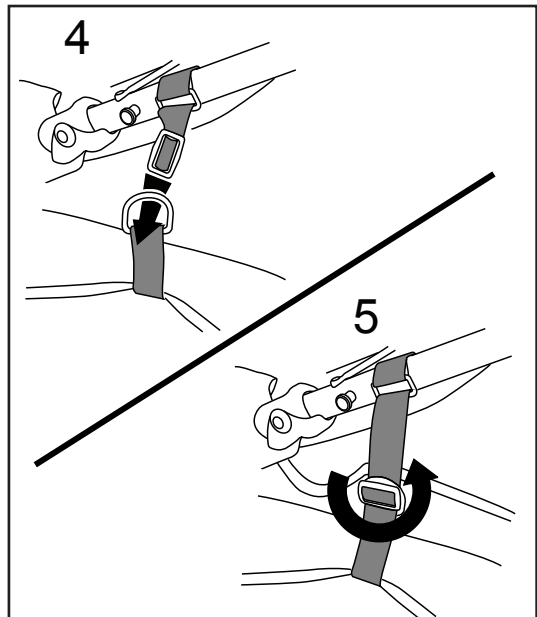


Abbildung 11



ACHTUNG



Vermeiden Sie schwere Verletzungen von Kindern von fallenden oder Schiebe Out:

- Verwenden Sie immer ein Geschirr, jedes Kind zurückzuhalten.
- Kuschel einstellen Geschirr um jedes Kind.
- Lassen Sie Kinder nie unbeaufsichtigt, auch beim Schlafen. Halten Sie Kinder im Blick.
- NICHT zulassen, dass Kinder auf Kinderwagen zu klettern oder stehen in Sitz.

Sicherung Kind in Kinderwagen Platz.

Mit Geschirr schnallte Ort Kind in Sitz. Schulterriemen (1) eingestellt werden sollte, um die Höhe des Kindes anzupassen. Wenn die Höhe Bedürfnissen angepasst, drehen Halteschnalle und schieben durch den Schlitz in der Sitzfläche. Ersetzen, indem Sie durch die richtige Höhe Schlitz in der Vorderseite des Sitzes und Drehschnalle bis flach gegen den Sitz zurück.

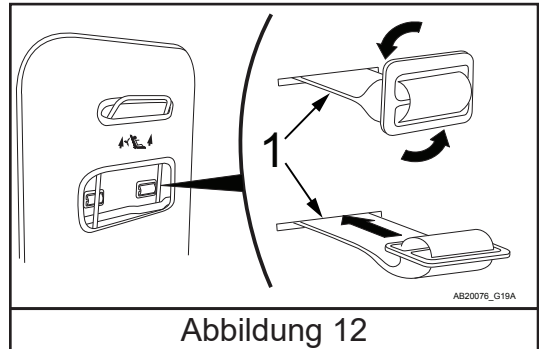


Abbildung 12

Siehe Abbildung 12.

Sichere Kind mit Kabelbaum durch Positionierung Schrittgurt (4) mit angebracht Zentrum Schnalle (3) zwischen Kinderfüße. Ort Schulter (1) und in der Taille (2) Riemen über die Schulter und Oberschenkel des Kindes. Einfügen und Schnappverschluss (1,2) in die Mitte Schnalle (3). Kuschel einzustellen jeder Gurt durch Ziehen an dem freien Ende des Bandes und beweglichen Kunststoffschlaufe entlang Band.

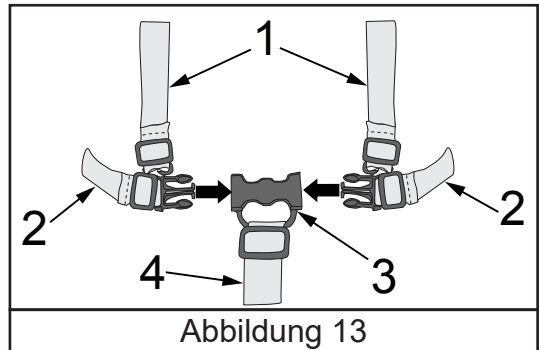


Abbildung 13

Siehe Abbildung 13 und 14.

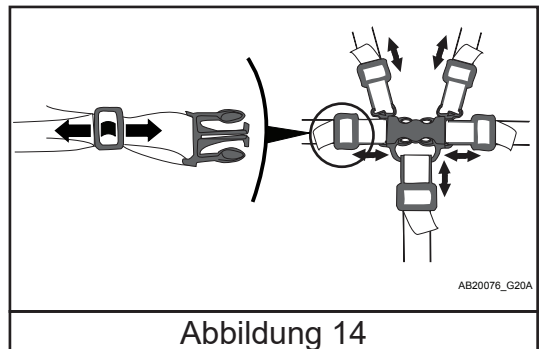


Abbildung 14

Front-und Center Rückenlehnen-Verstellung Anpassung

Vorder-und Mittelsitz zurücklehnen Einstellung

Die Sitze haben 2 Positionen aufrecht und zurückgelehnt. Zum Einstellen Rückenlehne nach oben ziehen, bis Liegeposition Griff Sitz freigegeben wird. Zeigen Sitz in die gewünschte Position und Griff loslassen. Stellen Sie sicher, Sitz in Position nach dem Loslassen Griff gesichert. Kabelbaum für die Sicherheit nach der Einstellung Sitzposition.

Siehe Abbildung 15.

Hinweis: Sitz muss in aufrechter Position zu Kinderwagen falten

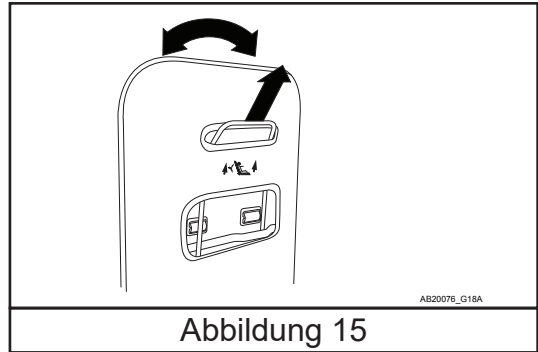


Abbildung 15

Rücksitzneigungsverstellung

Rücksitzneigungsverstellung

Der Rücksitz hat 2 Positionen aufrecht und zurückgelehnt.

Halten Sie den Sitz zum Zurücklehnen gedrückt. In aufrechter Position auf die Schnallenlaschen drücken, um beide Schnallen zu lösen (1).

Setzen Sie den Sitz wieder in Position.

Um den Sitz in die aufrechte Position zu heben, heben Sie die Rückenlehne an und befestigen Sie beide Schnallen (1) aneinander. Vergewissern Sie sich, dass die Schnallen vollständig eingerastet sind, bevor Sie die Rückenlehne lösen.

Siehe Abbildung 16.

Hinweis: Sitz muss in aufrechter Position zu Kinderwagen falten

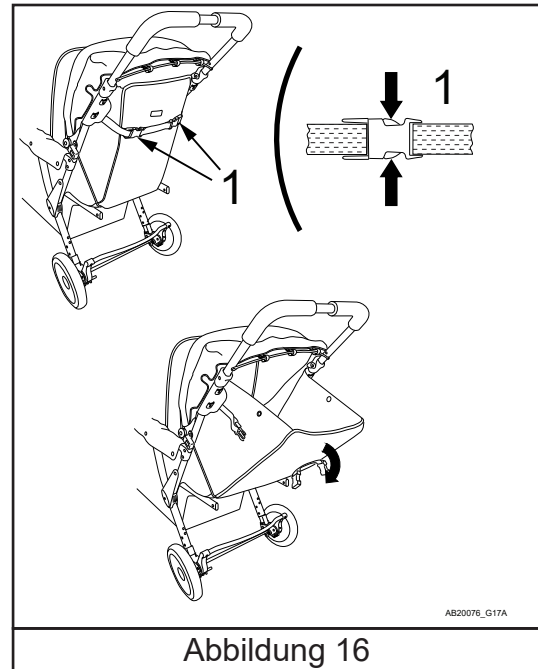


Abbildung 16

Stellbremsvorgang



ACHTUNG



- Immer Feststellbremse an, wenn Kinderwagen angehalten und, wenn Laden und Entladen Kinder.

Verriegelungsstellbremse

Drücken Sie auf Stellbremse Riegel (1) auf dem Hinterrad und Bremse Versammlung. Überprüfen Sie, dass die Räder blockieren.

Entriegeln Stellbremse.

Halten Sie sich auf dem Griff, Platz Zeh unter der Parkbremse Riegel und heben.

Siehe Abbildung 17.

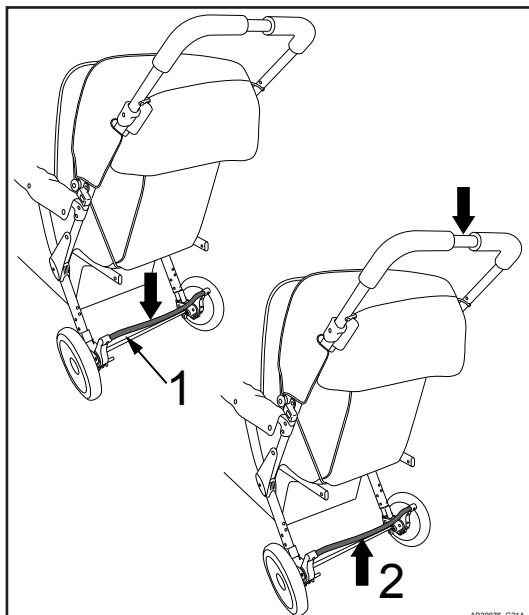


Abbildung 17

Arm Bar Ausbau und Austausch

Siehe in den Kinderwagen Montageanleitung für Arm Bar Ausbau und Austausch mit Schritt 6

Swivel Vorderrad Betätigung des Schlosses



ACHTUNG



- Verwenden Sie immer Vorderrad Drehsperrern, wenn schieben Kinderwagen auf unebenem Boden.

Canopy Betrieb

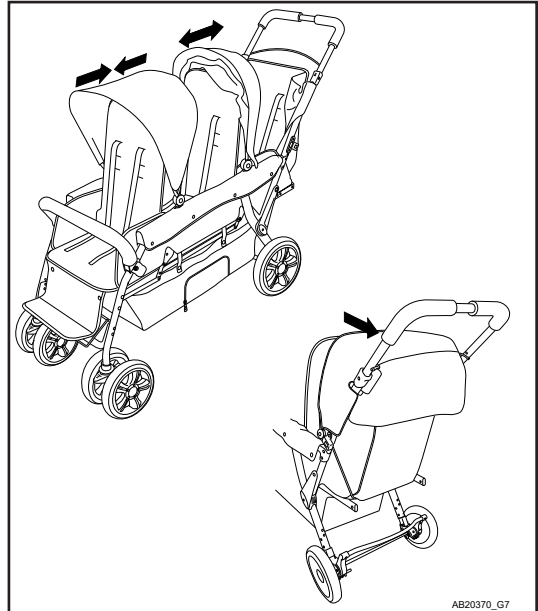
Canopy Betrieb.

Der vordere Reifen jedes Baldachin Abschnitt bewegt sich vorwärts oder rückwärts fährt, wie gewünscht.

Siehe Abbildung 20.

Für Überdachung Entfernung und Befestigung siehe Schritt 4 und 5 in der Kinderwagen Montageabschnitt.

Hinweise: Überdachungen müssen vollständig sein vor dem Falzen Kinderwagen eingefahren. Sie müssen nicht entfernt werden, wenn nicht anders gewünscht.



AB20370_G7

Abbildung 20

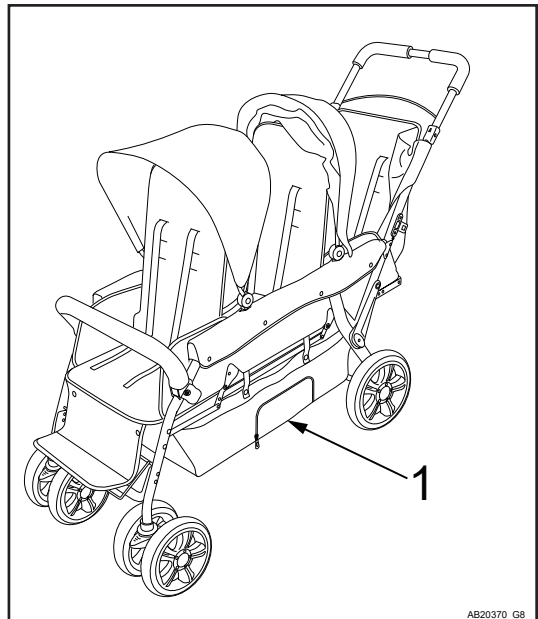
Speicherzugang

Speicherzugriff

Einen einfachen Zugriff auf das bieten untere Lagerfläche eine Zugangstür mit Reißverschluss ist an der Seite vorgesehen ist.

Nicht mehr als 15 Stellen Sie lbs. (6,7 kg.) im Speicherbereich.

Siehe Abbildung 21.



AB20370_G8

Abbildung 21

Vordere Fußstütze Betrieb

Vorderfussbetrieb.

Schwingen Fußstütze nach oben, bis auch bei der Sitzfläche. Swing Fußstütze Haltestange nach oben, bis sie hinter der geht Haltezungen an der Fußstütze.

Um Fußstütze nach unten leicht anheben, bis die Fußstütze Haltestab schwingt platzieren nach unten und gibt die Fußstütze Registerkarten.

Siehe Abbildung 22.

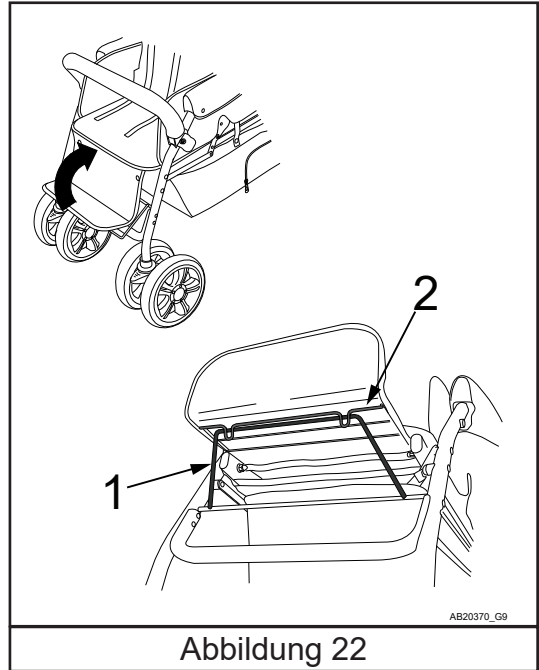


Abbildung 22

Becherhalter Versammlung

Becherhalter Versammlung

Nach unten drücken Cup Holder (G) zu befestigen. Cup Holder Schlüsselschlitze passt in Taste an der Seite des Kinderwagens Griff.

Siehe Abbildung 23.

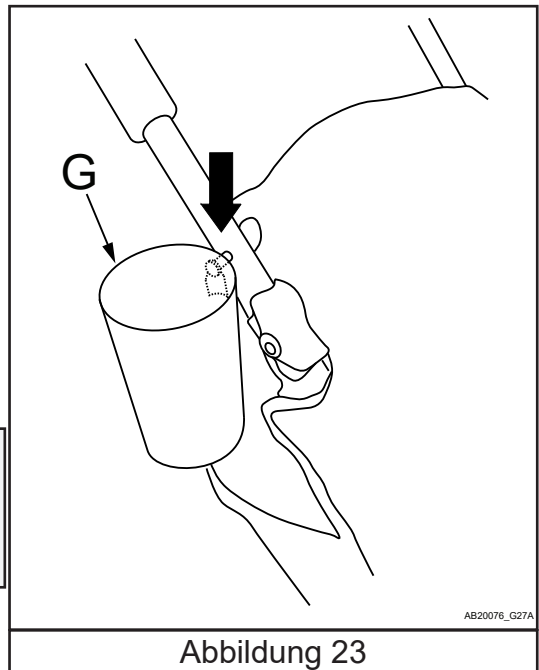


Abbildung 23

- **Verwenden Sie nur von Gaggle® bereitgestellte oder hierfür zugelassenes Zubehör Kinderwagen.**

Reinigung Sitze, Geschirr, Armlehnen, Arm Bar und Haube:

1. Oberflächenwäsche mit milden Lösung aus Wasser und Seife.
2. Spülen mit Wasser, um Seifenlösung zu entfernen.

Reinigung Kinderwagen:

1. Oberflächenwäsche Kinderwagenrahmen, Kunststoffteile und Stoff mit leichter Seifenlösung und Wasser. Wischen Flächen mit Wasser, um Seifenlösung zu entfernen.
2. Wischen oder an der Luft trocknen.

GAGGLE®

5216 Portside Dr, Medina, OH 44256 USA
PH: 1 234.400.0724 • FAX: 1 330.722.5037
gogagglego.com

IMPORTANTE - LEGGERE ATTENTAMENTE E MANTENERE PER IL FUTURO RIFERIMENTO

Passeggino Gaggle® Compass™ Trio *Modelli Coperto: 9909032, 4130XX9*

**PER SERVIZIO CLIENTI CALL
1-234-400-0724. NON CHIAMARE RIVENDITORE
O RIVENDITORE PER SERVIZIO NON SONO
AUTORIZZATI A RISOLVERE EVENTUALI
PROBLEMI SERVIZIO.**

**PER LA GARANZIA E FEDERALE DI SICUREZZA
STANDARD CERTIFICATO DI CONFORMITÀ, VISITARE IL
SITO WEB IN gogagglego.com**

MONTAGGIO ASSISTENZA

IMPORTANTE: Conservare per riferimento futuro.

Leggere attentamente.

Gaggle® si sforza per la massima qualità dei nostri prodotti, ma di tanto in tanto un pezzo mancante o problema può verificarsi durante

montaggio. In caso di componenti mancanti o rotti o avete bisogno assistenza al montaggio, NON restituire il prodotto al rivenditore. Vai al nostro sito web all'indirizzo: gogagglego.com o chiamare Gaggle® di assistenza al 1-234-400-0724 (Lunedì al Venerdì, dalle 9:00 am-16:00 Eastern Time). Si prega di avere il numero del modello e la data di produzione disponibile quando si chiama o scrivere a:

Gaggle® Strollers Foundations Worldwide, Inc.
5216 Portside Dr. Medina, OH. 44256

ISTRUZIONI DI MONTAGGIO

- Montaggio Adult richiesto.
- Leggere tutte le istruzioni prima di montare e utilizzare di prodotto.
- Scatola Disimballare, rimuovere i materiali di imballaggio, compresi polisacco. Identificare e controllare tutte le parti.



Colore e stile possono variare

Registrare le informazioni per il prodotto qui trova sul tubo del telaio.

Numero di modello: _____

Data di produzione: _____

PO Numero: _____



ATTENZIONE



Questo passeggino è per uso di non più di 3 bambini

Per l'uso con bambini il cui peso è di 40 libbre max come testato per US 16 CFR 1227 e 15 kg max come testato per BS EN 1888.

Per l'uso con i bambini la cui altezza è di 45 pollici, (114 cm) o meno.

I bambini devono essere allacciati nelle sedi con imbracatura regolati correttamente.

Indice

Indice	66
Attenzione	67
Istruzioni di montaggio	
Strumenti e componenti.....	68
Fase 1 - Apertura Passeggino per Gruppo.....	69
Fase 2 - Gruppo Ruota Anteriore.....	70
Fase 3 - Gruppo Ruota Posteriore.....	70
Fase 4 - Gruppo Anteriore e Centrale Capottina.....	71
Fase 5 - Gruppo Capottina Posteriore.....	71
Fase 6 - Gruppo Bracciolo.....	72
Funzionamento Passeggino e utilizzo	
Apertura e pieghevole passeggino.....	72
Protezione dei bambini in passeggino.....	74
Sedile posteriore Recline Regolazione.....	75
Parcheggio Funzionamento del Freno.....	76
Operazione Ruota Anteriore Girevole di Blocco.....	77
Canopy Funzionamento.....	78
Accesso Stoccaggio.....	78
Poggiapiedi Anteriore Funzionamento.....	79
Coppa Titolare Assesory.....	79
Manutenzione Passeggino	
Pulizia.....	80



ATTENZIONE



Mancata osservanza di queste avvertenze e istruzioni di montaggio potrebbe provocare lesioni gravi o mortali.

Evitare gravi lesioni per i bambini dalla caduta o scorrevole Out:

- Utilizzare sempre imbracatura per trattenere ogni bambino.
 - Comodamente regolare imbracatura attorno a ogni bambino.
 - Non lasciare mai bambini incustoditi, anche quando dorme.
- Tenere sempre i bambini in vista.
- **NON** permettere ai bambini di salire sul passeggino o stare in sella.

Evitare gravi lesioni ai bambini:

- Non lasciate che il vostro bambino giocare con questo prodotto.
- Questo seggiolino non è adatto per bambini sotto i 6 mesi.
- Questo prodotto non è adatto per correre o pattinare.
- **NON** permettere ai bambini di sedersi o stare in cestello portaoggetti.
- Prestare attenzione quando si spinge passeggino nei pressi di traffico o in altamente aree congestionate.
- **NON** utilizzare passeggino su scale o scale mobili con i bambini in esso.
- **NON** sollevare passeggino da bar braccio.

Evitare di perdita di controllo del Passeggino:

- Utilizzare sempre i blocchi girevoli ruota anteriore quando si spinge passeggino su terreni sconnessi.
- Prestare attenzione quando si spinge passeggino su terreni irregolari o sulle colline.
- Impostare sempre il freno di stazionamento quando il passeggino è fermo.
- Non lasciare **MAI** passeggino incustodito su una collina o inclinare anche quando freno di stazionamento non è inserito.

Evitare danni dovuti Passeggino ribaltamento:

- **NON** permettere ai bambini di salire in passeggino senza assistenza, o per giocare o appendere su passeggino.
- **NON** sovraccaricare passeggino in quanto può diventare instabile.
- **NON** trasportare più di un bambino per posto a sedere.
- **NON** posizionare pacchi extra o merci nel o sul passeggino.
- Non aggiungere il pacchetto trasporta accessori o appendere oggetti da passeggino.
- **NON** posizionare più di 15 libbre. (6.7kg) nel cestello portaoggetti.
- distribuire **SEMPRE** il peso nel modo più uniforme possibile su entrambi i lati del passeggino.

Evitare Pinch Injury:

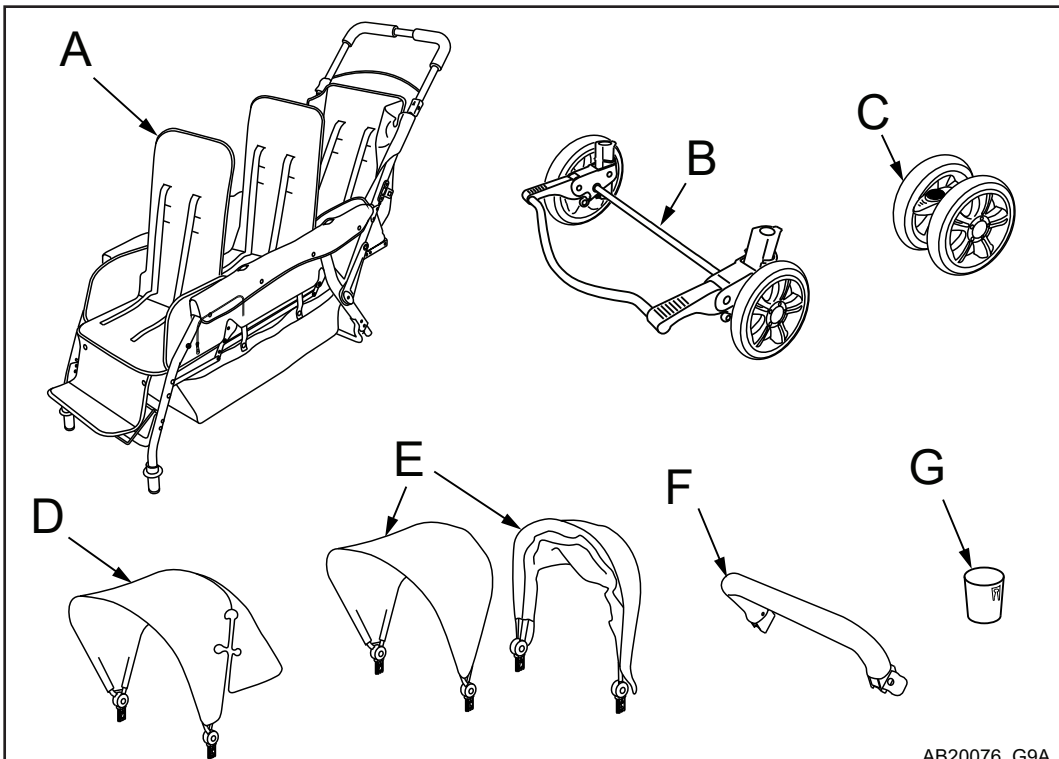
- Tenere le dita chiari di giunti a cerniera quando piegatura e dispiegamento passeggino.
- Quando si effettuano regolazioni, assicurarsi sempre il corpo di tutti i bambini parti sono chiare delle parti in movimento.
- Per evitare lesioni garantire che il vostro bambino sia tenuto lontano quando dispiegamento e ripiegamento questo prodotto.

⚠ ATTENZIONE ⚠

- **Rischio di soffocamento - hardware di montaggio** Passeggino include piccolo parti. Tenere le parti piccole lontano dalla portata dei bambini.
- **Le buste di plastica possono provocare soffocamento.** Tenere il sacchetto di plastica lontano dalla bambini. Rimuovere e gettare sacchetti di plastica.
- **Pinch Hazard -** Tenere le mani chiara di parti in movimento durante assemblaggio, piegatura e dispiegamento.
- **Accessori non inclusi o approvato da Gaggle® non devono essere utilizzato.**

ELENCO DELLE PARTI

Descrizione	Quantità
A. Passeggino Complessivo Telaio	1
B. Ruota Posteriore e Montaggio del Freno	1
C. Anteriore Gruppo Ruota	2
D. Capottina Posteriore	1
E. Anteriore e Centrale Capottina	2
F. Bracciolo	1
G. Holder Cup	1



AB20076 G9A

FASE 1 Apertura Passeggino

Apertura passeggino per il montaggio.

Posizionare Assembla telaio del passeggino (A) su un pavimento pulito con il tubo maniglia e posti sulla parte superiore. Slacciare mantenendo la cinghia ruotando anello di plastica quadrata di 90 gradi (1) e passando attraverso l'anello (2) plastica "D".

Vedere la Figura 1.

Tirare indietro la maniglia per aprire Assembla Passeggino Telaio (A). Una volta passeggino è spiegato stampa verso il basso la maniglia fino a quando il rosso Fold Sblocco (1, 2) su entrambi i lati l'impugnatura si aggancia in posizione. Controllare per assicurarsi Passeggino Telaio Il montaggio è sicuro e non ritorna alla posizione ripiegata.

Vedere la Figura 2.

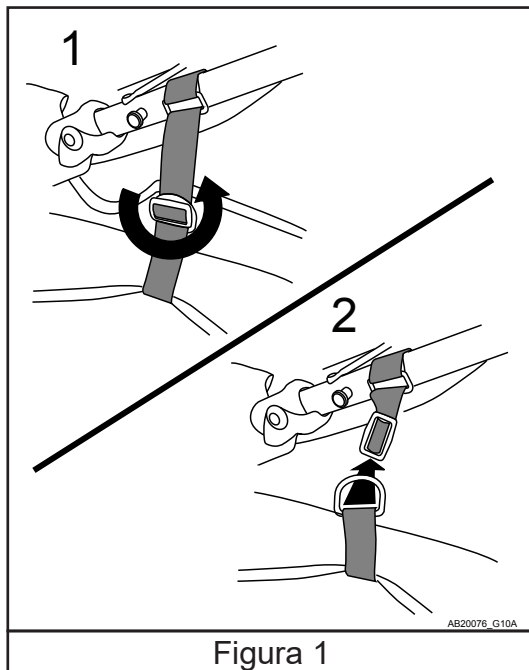


Figura 1

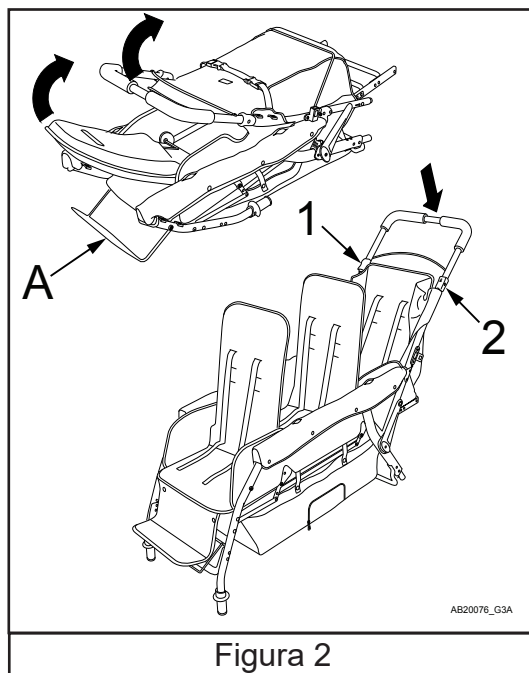


Figura 2

FASE 2 insieme ruota anteriore

Montaggio frontale gruppo ruota per passeggino complessivo telaio.

Allineare Collare della ruota anteriore Gruppo (C) con albero di montaggio del passeggino Assembly Frame (A). Spingere verso l'alto il collare fino a quando la ruota anteriore Gruppo (C) scatta in posizione con un clic.

Vedere la Figura 3.

Nota: per possibile lo smontaggio c'è una linguetta di sbloccaggio sul fondo interno del colletto Fronte Gruppo Ruota. Per l'opzione di bloccaggio direzionale ruota vedi la sezione Passeggino Operation.

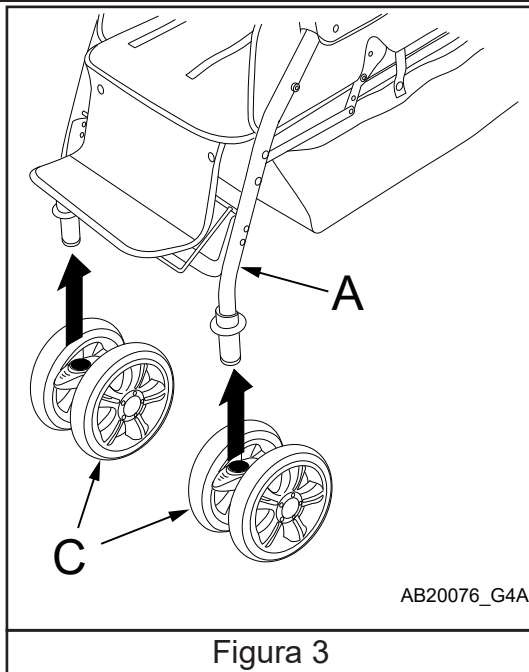


Figura 3

FASE 3 Ruota Posteriore Gruppo

Assemblare Posteriore Ruota e freno Gruppo di passeggino Telaio Gruppo.

Allineare entrambi i collari di Ruota Posteriore e Brake Gruppo (B) con Alberi di montaggio di Passeggino Telaio Gruppo (A). Spingere verso l'alto fino a quando la ruota posteriore e Gruppo freno (B) blocca collare in posizione con un clic. Il pulsante a molla deve sporgere completamente attraverso il foro nella parte posteriore Ruota e freno Collare Gruppo (B)

Vedere la Figura 4.

Nota: Per la possibile lo smontaggio della parte posteriore Ruota e Gruppo Brake, completamente premere il pulsante a molla per rilasciare montaggio. Per l'opzione freno ruota vedi la sezione Passeggino Operation.

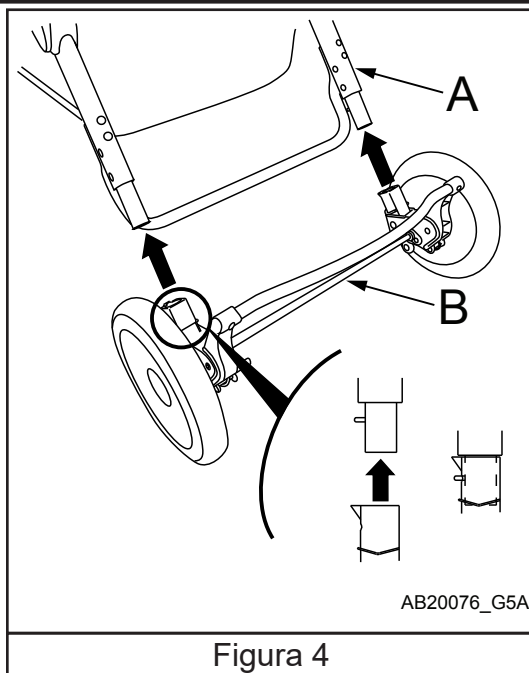


Figura 4

FASE 4 Anteriore e Centrale Capottina Gruppo

Assemblare anteriore e centrale Capottina Gruppo di passeggino.

Allineare la linguetta a molla (2) di Capottina Gruppo (E) attraverso un'apertura nel bracciolo panno (1) e in tettoia fermo (3). Assembla scatta in posizione con un clic. Ripetere l'operazione per entrambe le parti. Per rimuovere Capottina Gruppo scheda molla deprimere finché non si sgancia dal fermo Capottina.

Se la scheda non rilascia facilmente si può utilizzare un cacciavite a taglio o uguale strumento per deprimere la scheda molla.

Vedere la Figura 5.

Nota:

Per anteriore e centrale Capottina funzionamento vedi la sezione Passeggino Operation.

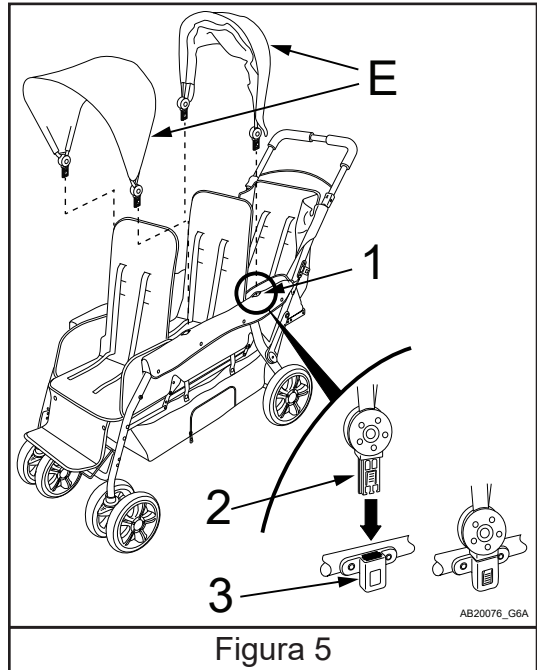


Figura 5

FASE 5 posteriore Capottina Gruppo

Montare posteriore Capottina Gruppo di passeggino.

Allineare la scheda Primavera (1) di Capottina posteriore

Assembly (D) in Capottina fermo (2). Assembla scatta in posizione con un clic. Sicuro il gancio e le cinghie (3) intorno l'arco Capottina (4).

Vedere la Figura 6.

Avvolgere la parte inferiore del Capottina (5) intorno alla parte esterna del telaio maniglia e premere le linguette gancio e anello

insieme. Avvolgere la parte superiore del Capottina (6) circa l'interno del telaio maniglia e Piega Sblocco e premere le linguette gancio e anello

insieme. Per rimuovere Capottina unwrap gancio e anello di fissaggio, premere la linguetta a molla ed estrarre l'Assemblea Canopy.

Vedere la Figura 7.

Nota: Per il funzionamento Capottina posteriore vedere la sezione Passeggino Operation.

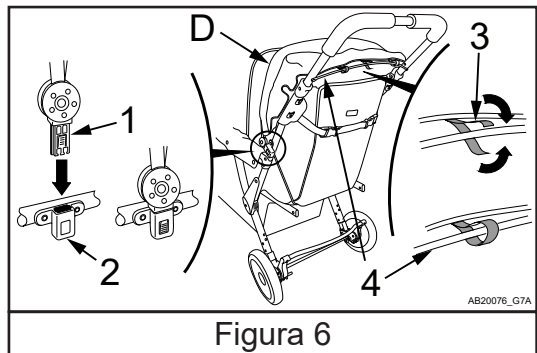


Figura 6

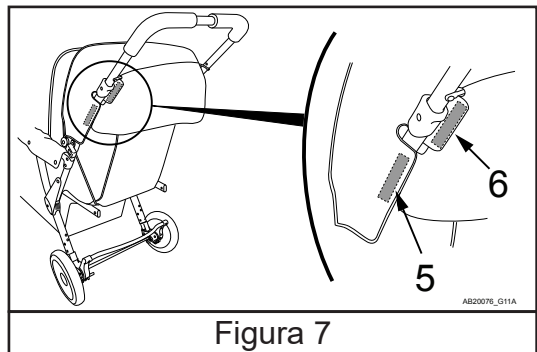


Figura 7

FASE 6 Gruppo Bracciolo

Montare Bracciolo per Passeggino

Allineare i morsetti della barra del braccio (F) tra le barre del braccio si ferma sul telaio del passeggino (1). Chiudere la leva di bloccaggio del morsetto sulla barra del braccio in modo che il foro nel morsetto sia allineato con il pulsante sul telaio del passeggino (2).

Premere verso il basso sui morsetti finché non si bloccano in posizione. Vedere la Figura 8.

Nota: Per rimuovere Bracciolo (F) procedura inversa e sollevare morsetti a rilasciare.

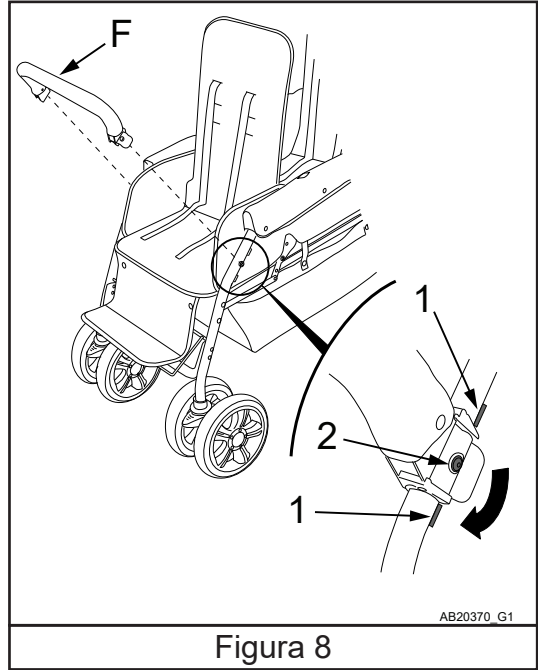


Figura 8

--- PASSEGGINO FUNZIONAMENTO ED USO ---

Ripiegare ed Aprire Passeggino



- Pinch Hazard - Tenere le mani libere da parti in movimento durante il montaggio, piegatura e dispiegamento.
- Assicurarsi che tutti i dispositivi di bloccaggio sono impegnati prima dell'uso.

Passeggino pieghevole.

Nota: Capottina dovrà essere piegato insieme e posti in posizione verticale position per facilitare le operazioni di piegatura.

Vedere la Figura 10.

Stringere insieme sul Diritto Fold leva di blocco (1). Tirare versioni sia di destra e di sinistra all'indietro verso la maniglia fino maniglia release (2). maniglia di spinta avanti dopo il rilascio di piegare completamente.

Vedere la Figura 9 e 10.0.

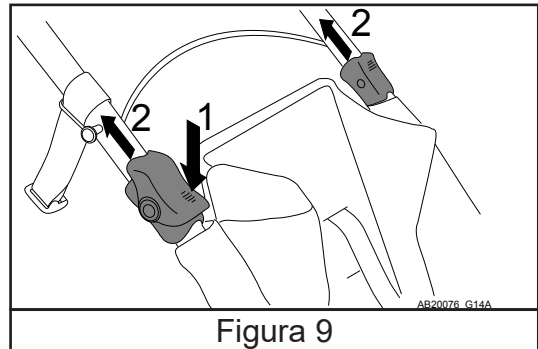


Figura 9

Ripiegare ed Aprire Passeggino Continua

Passeggino pieghevole.

Dopo passeggino è completamente piegato (3) inserire il ciclo di plastica quadrato di 90 gradi e spingerlo attraverso l'anello "D" nella cinghia di corrispondenza. Ruotare l'anello di plastica fino a quando non cattura in atto per garantire passeggino in posizione di chiusura.

Vedere la Figura 11.

Per aprire passeggino, operazione inversa.

Quando dispiegarsi, verificare che il blocco leve di rilascio sono impegnati con un clic. Spingere verso il basso passeggino per assicurarsi che non si piega ed è sicuro. Vedere anche Fase 1 Apertura Stroller nella sezione Stroller Assemblea.

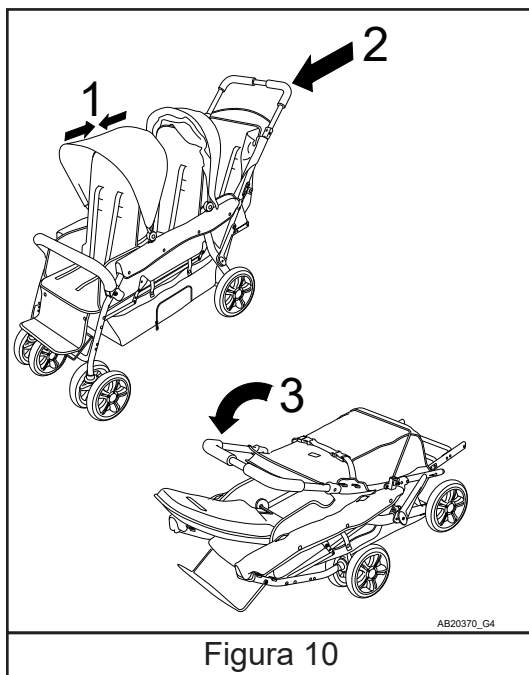


Figura 10

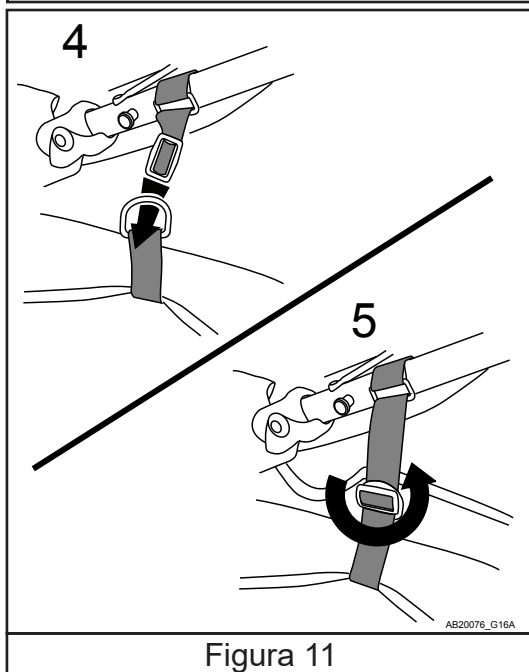


Figura 11

⚠ ATTENZIONE ⚠

Evitare gravi lesioni per i bambini dalla caduta o scorrevole Out:

- **Utilizzare sempre una cintura per trattenere ogni bambino.**
- **Comodamente regolare imbracatura attorno a ogni bambino.**
- **Non lasciare mai bambini incustoditi, anche quando dorme.**
Tenere sempre i bambini in vista.
- **NON permettere ai bambini di salire sul passeggino o stare in sella.**

Assicurare bambino nel seggiolino passeggero.

Con imbracatura slacciata posto bambino nel seggiolino. Cinghie di spalla (1) devono essere regolate in base all'altezza del bambino. Se ha bisogno di altezza regolata, ruotare mantenendo fibbia e far passare fessura del sedile. Sostituire mettendo tramite slot corretto altezza davanti al sedile e ruotare fibbia fino a piatto contro schienale.

Vedere la Figura 12.

Sicurezza bambino con imbracatura da cinghia di posizionamento biforcuto (4) con allegato fibbia centrale (3) tra le gambe del bambino. Luogo spalla (1) e della vita (2) cinghie sulle spalle e le cosce del bambino. Inserire e fibbia a scatto (1,2), in centro fibbia (3). Perfettamente regolare ogni cinghia tirando l'estremità libera della cinghia e spostando ciclo di plastica lungo cinghia.

Vedi figure 13 e 14.

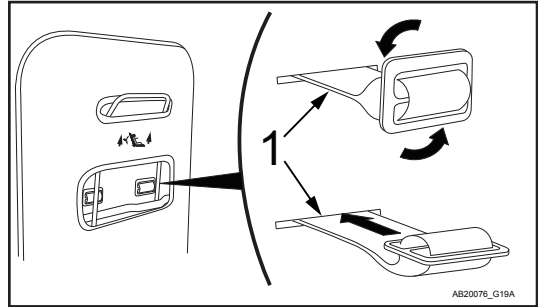


Figura 12

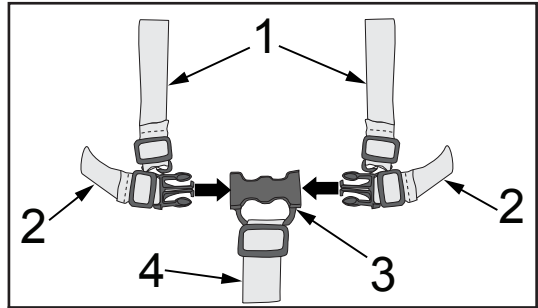


Figura 13

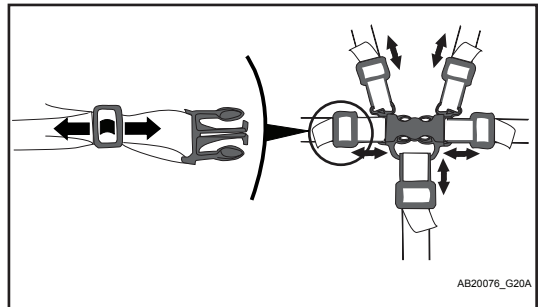


Figura 14

Anteriore e Centro Sedile Posteriore Recline Regolazione

Anteriore e Centro sedile reclinabile regolazione.

I sedili hanno 2 posizioni verticale e reclinato.

Per regolare il sedile posteriore Sollevare la maniglia reclinabile fino alla sede viene rilasciato. Mettere sedile nella posizione desiderata e rilasciare la maniglia. Assicurarsi sede che sia fissato in posizione dopo aver rilasciato la maniglia. Controllare cablaggio per sicurezza dopo aver regolato posizione del sedile.

Vedere la Figura 15.

Nota: sedile deve essere in posizione verticale per piegare passeggino

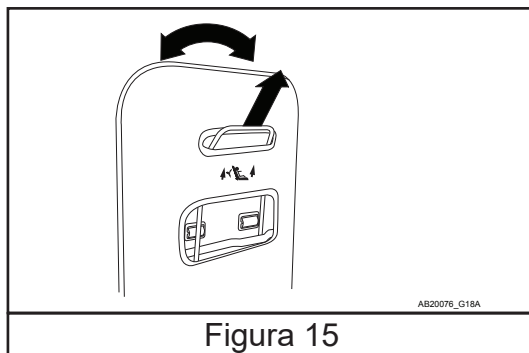


Figura 15

Sedile Posteriore Recline Regolazione

Regolazione posteriore reclinabile sedile.

Il sedile posteriore ha 2 posizioni verticali e reclinate.

Per reclinare lo schienale, tenere premuto il sedile posizione verticale e premere sulle linguette della fibbia per rilasciare entrambe le fibbie (1).

Abbassare lo schienale in posizione.

Per sollevare il sedile in posizione verticale, sollevare lo schienale e agganciare entrambe le fibbie (1). Verificare che le fibbie siano completamente innestate prima di rilasciare lo schienale.

Vedere la Figura 16.

Nota: sedile deve essere in posizione verticale per piegare passeggino

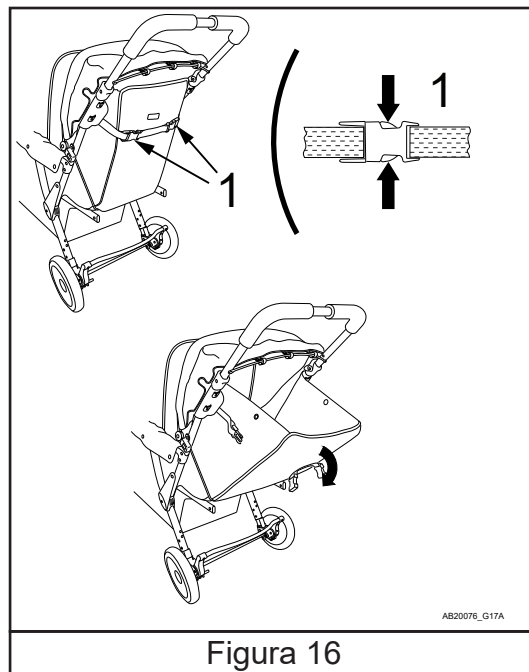


Figura 16

⚠ ATTENZIONE ⚠

- **Bloccare sempre il freno di stazionamento quando passeggino è fermo e quando carico e scarico bambini.**

Bloccaggio del freno di stazionamento.

Premere verso il basso sulla barra di bloccaggio del freno di parcheggio (1) sulla ruota posteriore e freno gruppo. Controllare che le ruote siano bloccate.

Sblocco del freno di stazionamento.

Mentre si preme verso il basso la maniglia, luogo punta sotto la barra di bloccaggio del freno di stazionamento e sollevare.

Vedere la Figura 17.

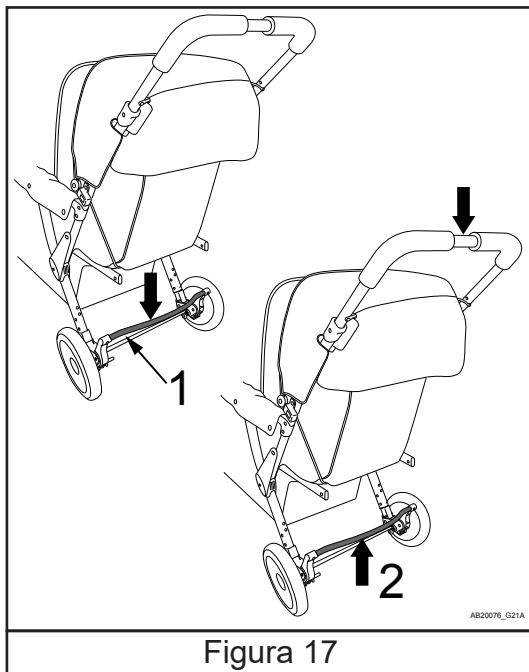


Figura 17

Bracciolo Rimozione bar e sostituzione

Fare riferimento al punto 6 nelle Istruzioni Passeggino montaggio per la rimozione e la sostituzione Bracciolo.

Ruota Anteriore Girevole Blocco funzionamento.

⚠ ATTENZIONE ⚠

- **Utilizzare sempre le serrature girevole ruota anteriore quando si spinge passeggino su terreni irregolari.**

Ruota Anteriore Girevole Blocco Funzionamento

Blocco ruota anteriore girevole.

Allineamento ruote anteriori in modo che siano dritti in direzione passeggino andare avanti. Blocco girevole su ruote deve essere allineato con la pista blocco girevole sul post telaio del passeggino. Spingere verso il basso la linguetta di blocco girevole fino a quando non scatta in posizione. Vedi le ruote anteriori sono bloccate in posizione.

Ripetere l'operazione per entrambi i gruppi ruota anteriore.

Vedere la figura 18.

Per sbloccare push up su entrambe le linguette di bloccaggio girevoli pienamente. Le ruote devono girare liberamente.

Ripetere l'operazione per entrambi i gruppi ruota.

Vedere la Figura 19.

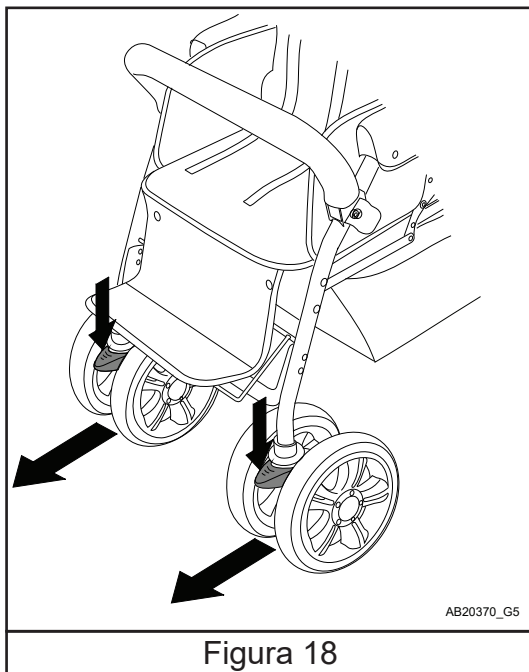


Figura 18

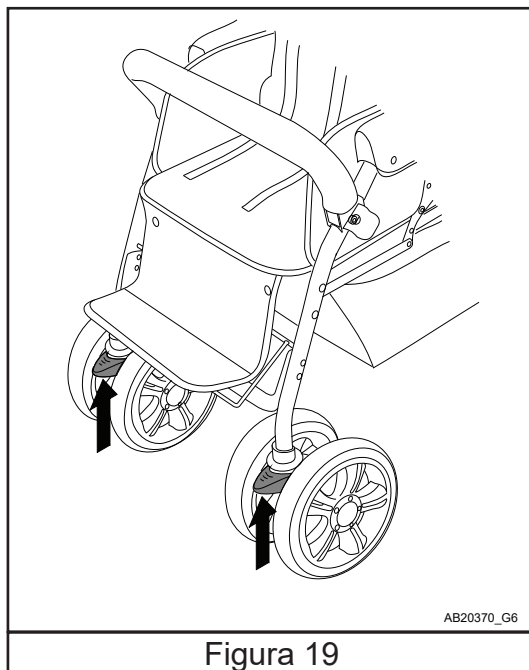


Figura 19

Operazione Capottina

Operazione Capottina.

Il cerchio anteriore di ogni sezione baldacchino si sposta in avanti o si ritrae indietro, se lo desideri.

Vedere la Figura 20.

Per la rimozione baldacchino e l'attaccamento vedere il punto 4 e 5 nel passeggino sezione di assemblaggio.

Note: Tettoie devono essere pienamente retratto prima di passeggino pieghevole. Non hanno bisogno rimossa se non diversamente desiderato.

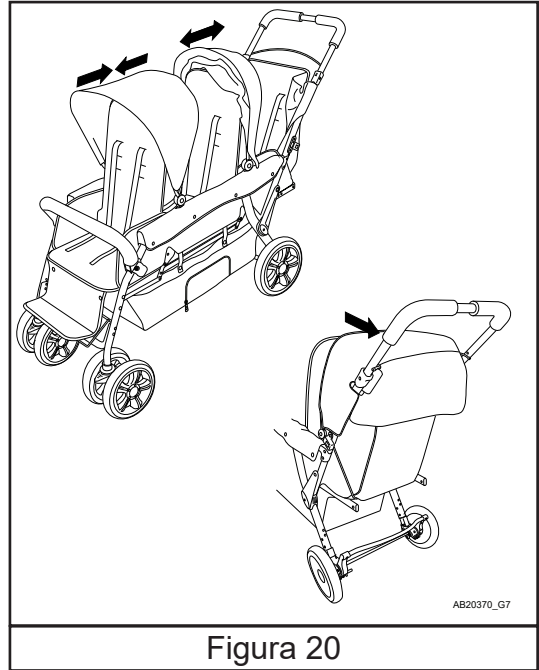


Figura 20

Accesso Bagagli

Accesso di Archiviazione

Per fornire un facile accesso all'area di stoccaggio in basso una porta di accesso con cerniera è dotata sul lato.

Non collocare più di 15 libbre. (6,7 kg.) in area di stoccaggio.

Vedere la Figura 21.

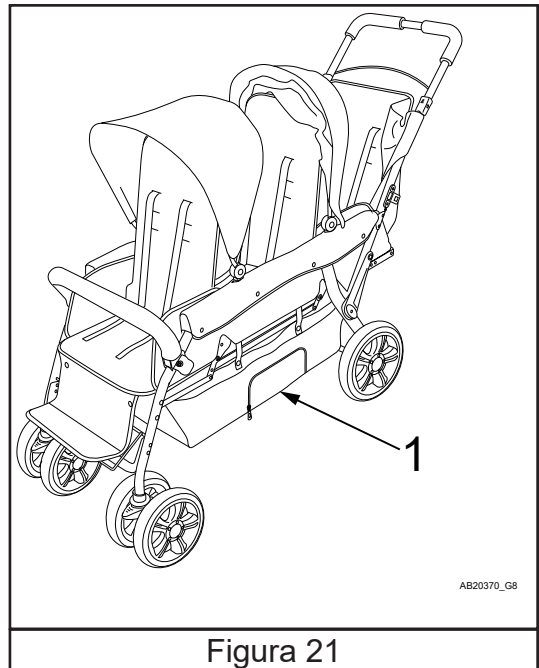


Figura 21

Poggiapiedi Anteriore Funzionamento

Fronte operazione poggiapiedi.

Altalena pedana verso l'alto fino a quando, anche con il sedile. Swing Bar pedana di fissaggio verso l'alto fino a che non va dietro la mantenendo schede sulla pedana.

Per posizionare leggermente poggiapiedi verso il basso fino a quando la barra di sollevamento altalene pedana di fissaggio verso il basso e rilascia le schede poggiapiedi.

Vedere la Figura 22.

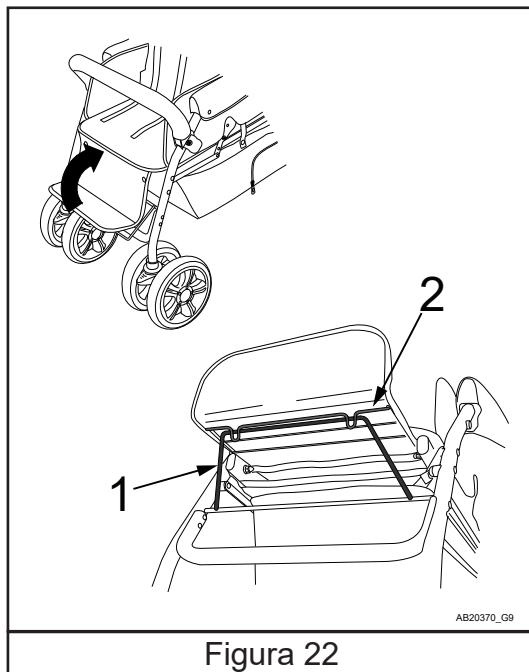


Figura 22

Coppa Titolare Assessorry

Coppa Titolare Assessorry

Spingere verso il basso Cup Holder (G) per fissare in posizione. Cup Holder Slot chiave si inserisce in pulsante sul lato del manico passeggino.

Vedere la Figura 23.

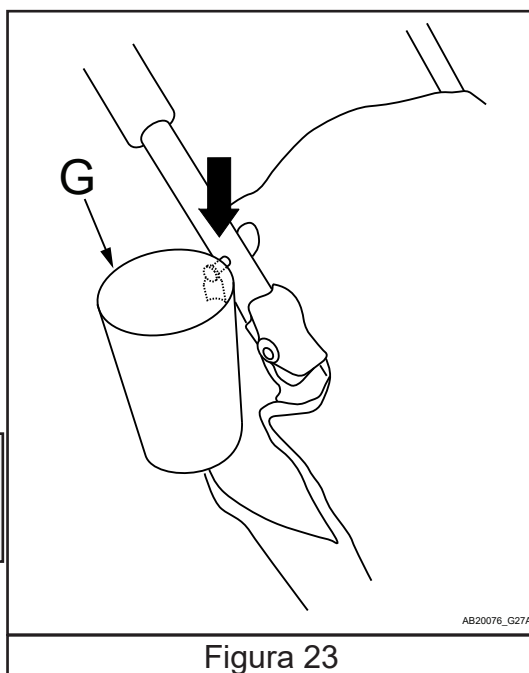


Figura 23

- **Utilizzare solo il Gaggle® fornito o accessori approvati per questo passeggino.**

Sedili, imbracatura, braccioli, bar braccio e baldacchino di pulizia:

1. lavare la superficie solo con una soluzione delicata di acqua e sapone.
- 2 Sciacquare con acqua per rimuovere la soluzione di sapone.

Passeggino Pulizia:

- 1 Superficie telaio lavaggio passeggino, parti in plastica e tessuto con una soluzione delicata di sapone e acqua. Pulire le superfici con acqua per rimuovere la soluzione di sapone.
- 2 Pulire o aria secca.

GAGGLE®

5216 Portside Dr, Medina, OH 44256 США
ТЕЛ.: 1 234.400.0724 • ФАКС: 1 330.722.5037
gogagglego.com

**ВАЖНО - ВНИМАТЕЛЬНО ПРОЧИТАЙТЕ И СОХРАНИТЕ НА БУДУЩЕЕ
ССЫЛКА**

Gaggle® Compass™ Trio Прогулочная Модели: 9909032, 4130XX9

**ОБСЛУЖИВАНИЕ КЛИЕНТОВ ПО ТЕЛЕФОНУ
1-234-400-0724. НЕ ОБРАЩАЙТЕСЬ К РОЗНИЧНЫМ
ПРОДАВЦАМ ИЛИ ТОРГОВЫМ ПОСРЕДНИКАМ,
ПОСКОЛЬКУ ОНИ НЕ УПОЛНОМОЧЕНЫ РЕШАТЬ
ВОПРОСЫ, СВЯЗАННЫЕ С ОБСЛУЖИВАНИЕМ.**

**С СЕРТИФИКАТАМИ СООТВЕТСТВИЯ ФЕДЕРАЛЬНЫМ
СТАНДАРТАМ ПО БЕЗОПАСНОСТИ МОЖНО
ОЗНАКОМИТЬСЯ НА НАШЕМ ВЕБ-САЙТЕ ПО АДРЕСУ
gogagglego.com**

ПОМОЩЬ ПРИ СБОРКЕ КОЛЯСКИ

**ВАЖНО: сохранить для дальнейшего использования.
Внимательно прочитайте.
Gaggle® стремится к высочайшему качеству в наших
продуктах, но иногда недостающие части или проблемы
могут возникнуть во время
сборки. Если какие-либо части отсутствуют или
сломаны, или вам нужна помощь в сборке, НЕ возвращайте
изделие вашему дилеру. Посетите наш веб-сайт по адресу:
gogagglego.com или позвоните в Gaggle® за помощью по
телефону 1-234-400-0724 (с понедельника по пятницу, с 9:00
до 16:00 по восточному времени). Пожалуйста, укажите
номер модели и дату изготовления, когда вы позвоните
или напишите нам по адресу:
Фонды колясок Gaggle® Strollers Foundations Worldwide, Inc.
5216 Portside Dr. Medina, OH. 44256**

ИНСТРУКЦИЯ ПО СБОРКЕ

- Сборку должен осуществлять взрослый человек.
- **ПРЕЖДЕ ЧЕМ** собирать и **ЭКСПЛУАТИРОВАТЬ** изделие, внимательно прочтите всю инструкцию.
- Распакуйте коробку, снимите упаковочные материалы, включая полиэтиленовый пакет. Проверьте комплектность и отсутствие дефектов в изделии.



Цвет и стиль могут меняться

Запишите информацию о своем
изделии, указанную на раме
коляски.

Номер модели: _____

Дата изготовления: _____

Номер заказа: _____



ПРЕДУПРЕЖДЕНИЕ



Коляска предназначена для перевозки не более 3 детей.

Для использования с детьми, вес которых составляет не более 40 фунтов в соответствии с US
16 CFR 1227 и 15 кг в соответствии с BS EN 1888.

Для перевозки детей ростом не более 114 см (45 дюймов).

Дети **ДОЛЖНЫ** быть пристегнуты отрегулированными надлежащим
образом ремнями безопасности.

Содержание

Содержание.....	82
Предупреждения.....	83
Инструкция по сборке	
Инструменты и детали.....	84
Этап 1. Подготовка коляски к сборке.....	85
Этап 2. Установка передних колес.....	86
Этап 3. Установка задних колес.....	86
Этап 4. Установка переднего и центрального капюшонов.....	87
Этап 5. Установка заднего капюшона.....	87
Этап 6. Установка защитной перекладины.....	88
Эксплуатация коляски	
Раскладывание и складывание коляски.....	89
Использование ремней безопасности.....	90
Регулировка наклона спинки.....	91
Регулировка капюшонов.....	92
Блокировка поворотного механизма передних колес.....	92
Регулировка капюшонов.....	94
Доступ к корзине для хранения вещей.....	94
Регулировка передней опоры для ног.....	95
Подставка для кружки.....	95
Техобслуживание коляски	
Чистка.....	96



ПРЕДУПРЕЖДЕНИЕ



Несоблюдение этих указаний и инструкции по сборке может привести к серьезным травмам или смерти.

Во избежание серьезных травм в результате падения или выскальзывания детей:

- **ВСЕГДА** пристегивайте каждого ребенка ремнями безопасности.
- Отрегулируйте длину ремней так, чтобы они плотно прилегали к телу каждого ребенка.
- **НИКОГДА** не оставляйте детей в коляске без присмотра, даже если они спят. Всегда держите детей в поле зрения.
- **НЕ** позволяйте детям взбираться на коляску или вставать на сиденье.

Во избежание серьезных травм детей:

- **НЕ** позволяйте ребенку играть с коляской.
- Сиденье не предназначено для детей в возрасте до 6 месяцев.
- Данное изделие не пригодно для использования во время бега или катания на роликах.
- **НЕ** позволяйте детям сидеть или стоять в корзине для хранения вещей.
- Будьте осторожны на дорогах и в людных местах.
- **ЗАПРЕЩАЕТСЯ** катить коляску с детьми по лестнице или эскалатору.
- **ЗАПРЕЩАЕТСЯ** поднимать коляску за защитную перекладину.

Не теряйте контроль над коляской:

- При движении по неровной местности **ВСЕГДА** используйте блокировку поворотного механизма передних колес.
- Будьте осторожны при движении по неровной, холмистой местности.
- Используйте тормозное устройство **КАЖДЫЙ РАЗ**, когда останавливаете коляску.
- **НИКОГДА** не оставляйте коляску без присмотра на холме или наклонной поверхности, даже если задействован тормоз.

Во избежание получения травм вследствие опрокидывания коляски:

- **НЕ** позволяйте ребенку самостоятельно забираться в коляску, играть с коляской или висеть на ее ручке.
- **ЗАПРЕЩАЕТСЯ** перегружать коляску, так как это может привести к потере ее устойчивости.
- **ЗАПРЕЩАЕТСЯ** перевозить нескольких детей на одном сиденье.
- **ЗАПРЕЩАЕТСЯ** помещать в коляску или вешать на нее дополнительные сумки или иной груз.
- **ЗАПРЕЩАЕТСЯ** устанавливать дополнительные принадлежности для перевозки предметов.
- **ЗАПРЕЩАЕТСЯ** перевозить в корзине коляски груз весом более 6,7 кг (15 фунтов).
- **ВСЕГДА** распределяйте вес по обеим сторонам коляски как можно более равномерно.

Во избежание защемления:

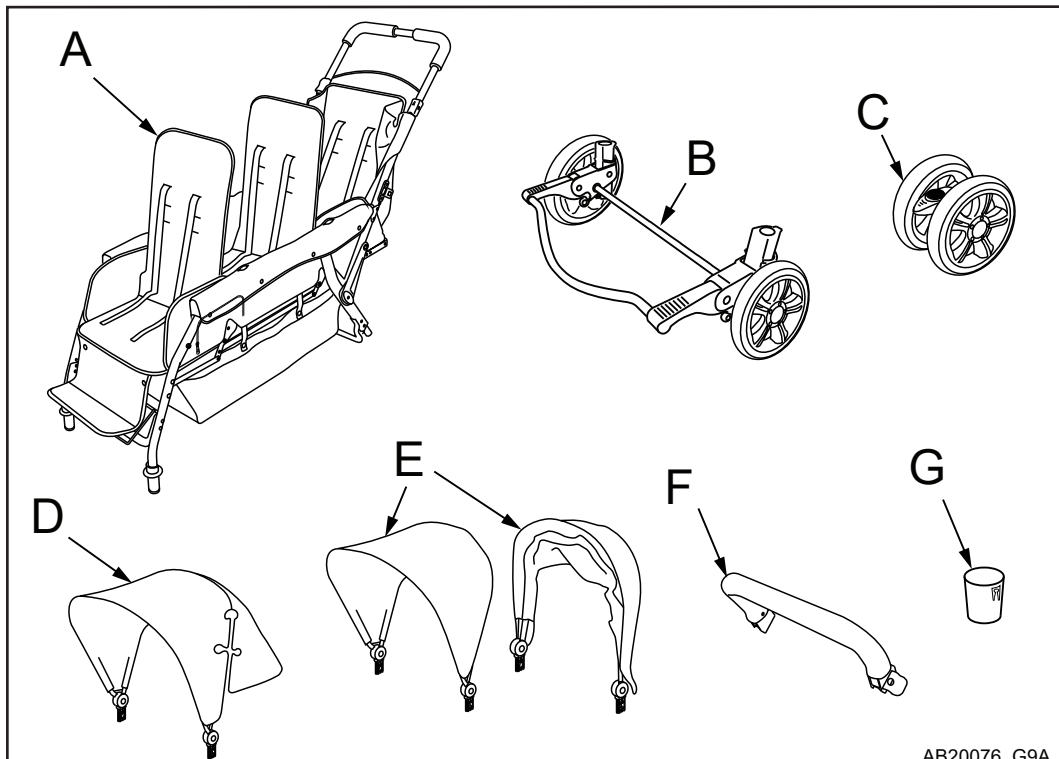
- Складывая и раскладывая коляску, держите пальцы подальше от шарнирных соединений.
- Во время регулировки прогулочной коляски следите, чтобы ее подвижные части не касались детей.
- Во избежание травм, раскладывая или складывая коляску, убедитесь, что дети находятся на безопасном расстоянии.

⚠ ПРЕДУПРЕЖДЕНИЕ ⚠

- Опасность удушья: механизм коляски включает мелкие детали, которые следует хранить в недоступном для детей месте.
- Пластиковые пакеты могут стать причиной удушья. Храните их в недоступном для детей месте. Снимите пластиковые пакеты и утилизируйте их.
- Опасность защемления: держите руки подальше от подвижных частей коляски во время ее сборки, складывания и раскладывания.
- Запрещается использовать принадлежности, не предоставляемые или не одобренные компанией Gaggie®.

СПИСОК ДЕТАЛЕЙ

Описание детали	Количество
A. Рама коляски	1
B. Задние колеса и тормозное устройство	1
C. Передние колеса	2
D. Задний капюшон	1
E. Передний и центральный капюшон	2
F. Защитная перекладина	1
G. Подставка для кружки	1



AB20076 G9A

ЭТАП 1. Раскладывание коляски

Подготовка коляски к сборке.

Положите раму коляски (А) на чистый пол ручкой и сиденьями кверху. Расстегните фиксирующий ремешок, повернув квадратную пластмассовую пряжку на 90 градусов (1) и пропустив ее через пластмассовое D-образное кольцо (2).

См. рис. 1.

Потяните ручку коляски назад, чтобы разложить раму коляски (А). Разложив коляску, нажимайте на ручку до тех пор, пока красные устройства разблокировки складного механизма коляски (1, 2) по обеим сторонам ручки не встанут на место со щелчком.

Убедитесь, что рама коляски надежно закреплена и не сложится вновь.

См. рис. 2.

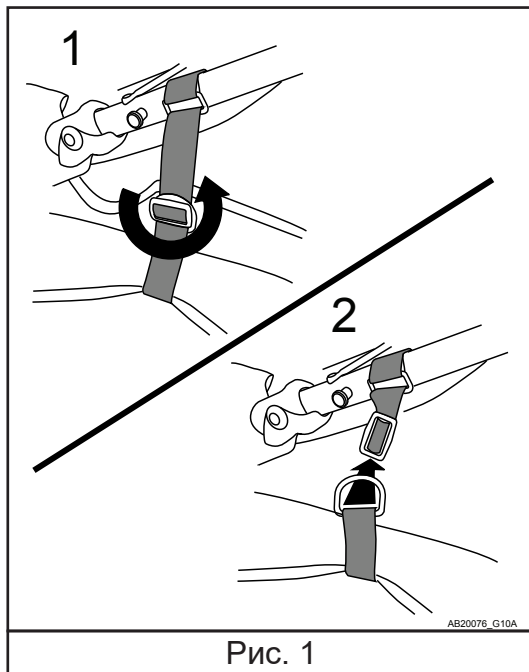


Рис. 1

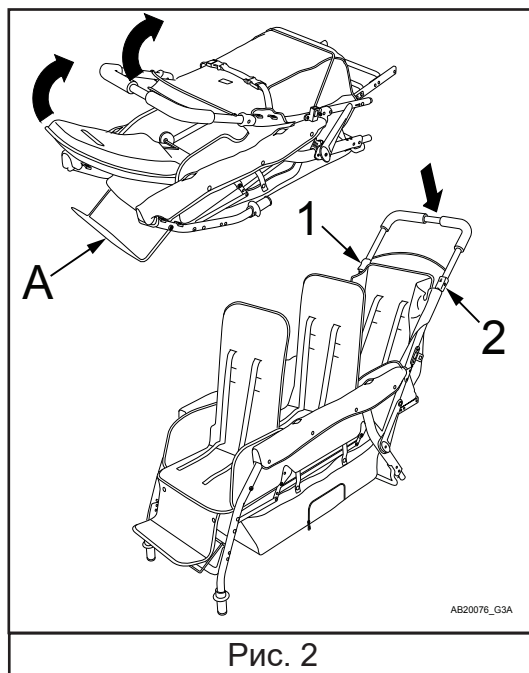


Рис. 2

ЭТАП 2. Установка передних колес

Установка передних колес на раму коляски.

Наденьте втулку передних колес (С) на ось рамы коляски (А). Нажимайте на втулку, пока колеса (С) не зафиксируются со щелчком.

См. рис. 3.

Примечание: чтобы снять колеса, необходимо нажать на рычаг на нижней стороне втулки передних колес.

Сведения о блокировке поворотного механизма передних колес см. в разделе «Эксплуатация коляски».

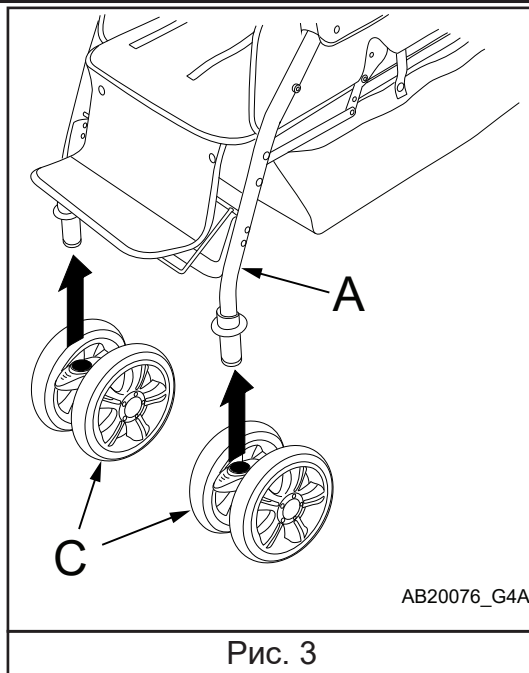


Рис. 3

ЭТАП 3. Установка задних колес

Установка задних колес и тормозного устройства на раму коляски.

Наденьте обе втулки задних колес и тормозного устройства (В) на оси рамы коляски (А). Нажимайте на втулки, пока они не зафиксируются со щелчком. При этом из отверстия во втулке задних колес и тормозного устройства (В) должна полностью выступить подпружиненная кнопка.

См. рис. 4.

Примечание: чтобы снять задние колеса и тормозное устройство, необходимо полностью вдавить подпружиненную кнопку.

Сведения о варианте поставки колесного тормоза см. в разделе «Эксплуатация коляски».

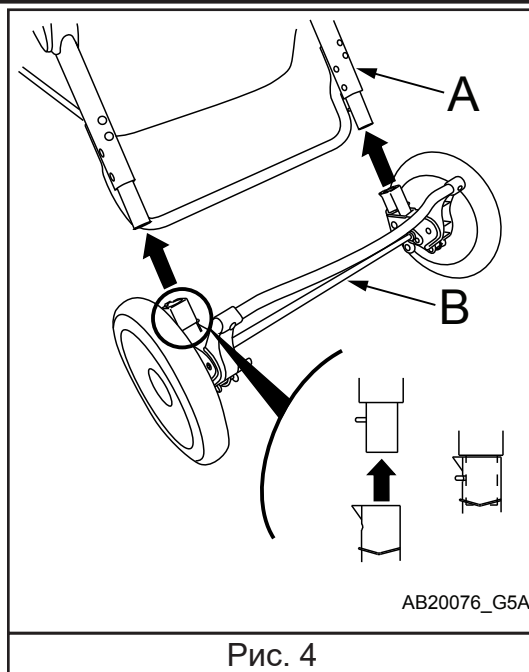


Рис. 4

ЭТАП 4. Установка переднего и центрального капюшонов

Установка на коляску переднего и центрального капюшонов.

Совместите подпружиненные выступы (2) капюшонов (Е) с отверстиями на обтянутом тканью подлокотнике (1) и вставьте выступы в замки (3). При этом должен быть слышен щелчок. Повторите эти действия с обеих сторон.

Чтобы снять капюшоны, нажмите на подпружиненные выступы, пока они не высвободятся из замка. Если выступ не выходит из замка, можно надавить на него отверткой с прямым шлицем (плоской) или аналогичным инструментом.

См. рис. 5.

Примечание:

сведения о регулировке переднего и центрального капюшона см. в разделе «Эксплуатация коляски».

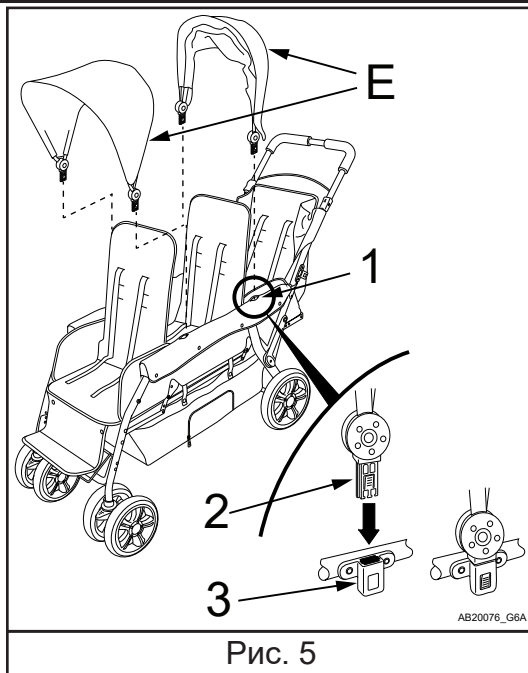


Рис. 5

ЭТАП 5. Установка заднего капюшона

Установка на коляску заднего капюшона.

Вставьте подпружиненные выступы (1) заднего капюшона (D) в замок (2). При этом должен быть слышен щелчок. Закрепите капюшон на дуге при помощи ремешков с «липучкой» (4).

См. рис. 6.

Заверните нижний край капюшона (5) вокруг внешней части рамы ручки и застегните замок «липучку».

Заверните верхний край капюшона (6) вокруг внутренней части рамы

ручки и устройства разблокировки складного механизма и застегните замок «липучку».

Чтобы снять капюшон, расстегните «липучки», нажмите на подпружиненные выступы и вытяните их из замков.

См. рис. 7.

Примечание: сведения о регулировке заднего капюшона см. в разделе «Эксплуатация коляски».

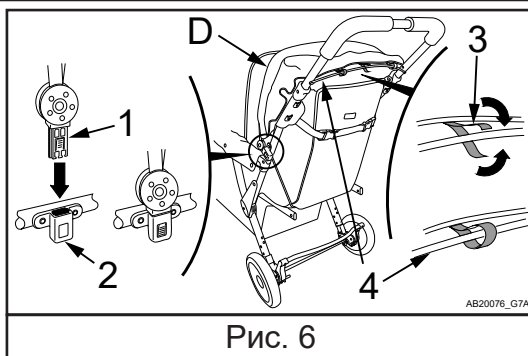


Рис. 6

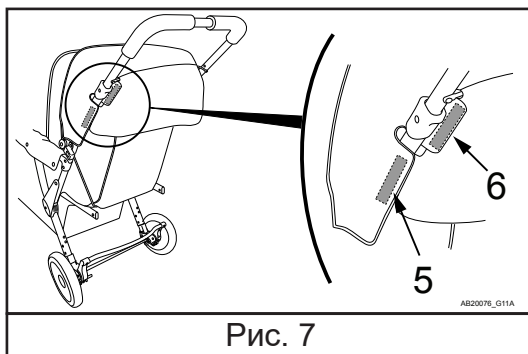


Рис. 7

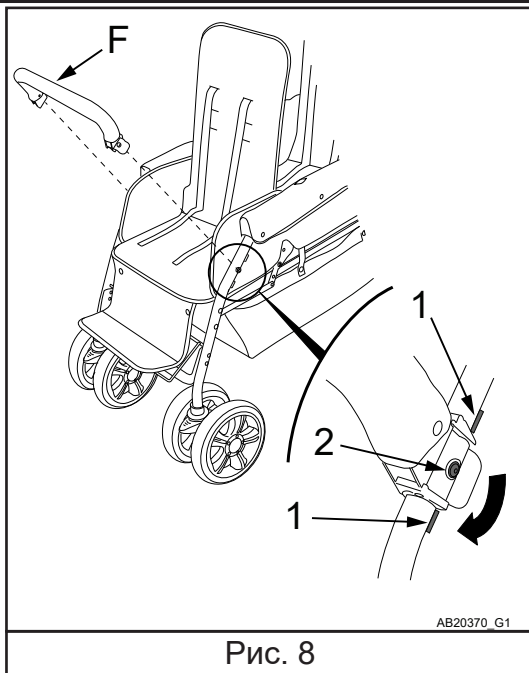
ЭТАП 6. Установка защитной перекладины

Установка защитной перекладины на коляску.

Расположите защитную перекладину логотипом Foundations® вверх и вперед так, чтобы зажимы перекладины (F) оказались между ограничителями перекладины на раме коляски (1). Поверните рычажок зажима на перекладине, чтобы совместить отверстие в зажиме с кнопкой на раме коляски (2). Нажимайте на зажимы, пока они не зафиксируются.

См. рис. 8.

Примечание: чтобы снять перекладину (F), выполните процедуру в обратном порядке, разжав зажимы.



--- ЭКСПЛУАТАЦИЯ КОЛЯСКИ ---

Складывание и раскладывание коляски

⚠ ПРЕДУПРЕЖДЕНИЕ ⚠

- Опасность защемления: держите руки подальше от подвижных частей коляски во время ее сборки, складывания и раскладывания.
- Перед использованием коляски убедитесь, что задействованы все фиксирующие устройства.

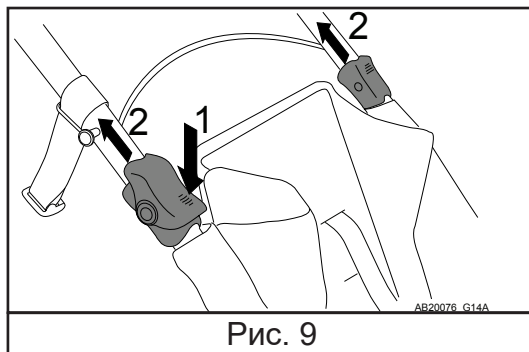
Складывание коляски.

Примечание: чтобы облегчить складывание коляски, следует сложить вместе капюшоны, а спинки сидений привести в вертикальное положение.

См. рис. 10.

Нажмите на рычажок правого устройства разблокировки складного механизма (1). Оттяните и правое, и левое устройства назад в направлении ручки, пока она не высвободится (2). После высвобождения ручки толкните ее вперед, чтобы сложить полностью.

См. рис. 9 и 10.



Складывание и раскладывание коляски (продолж.)

Складывание коляски.

Полностью сложив коляску (3), поверните квадратную пластмассовую пряжку на 90 градусов и пропустите ее через пластмассовое D-образное кольцо на ремешке. Поверните пластмассовую пряжку, чтобы зафиксировать коляску в сложенном положении.

См. рис. 11.

Чтобы разложить коляску, повторите описанные действия в обратном порядке. Раскладывая коляску, убедитесь, что рычажки устройства разблокировки складного механизма защелкнулись. Надавите на коляску, чтобы убедиться, что она надежно зафиксирована и не сложится на ходу.

Также см. «Этап 1. Подготовка коляски к сборке» в разделе «Сборка коляски».

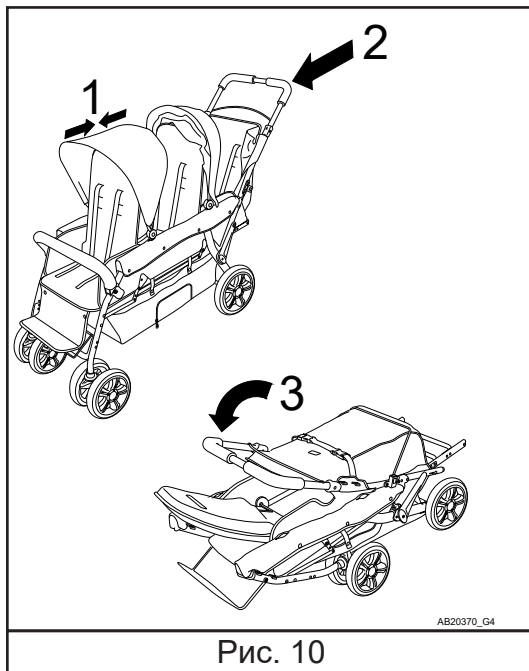


Рис. 10

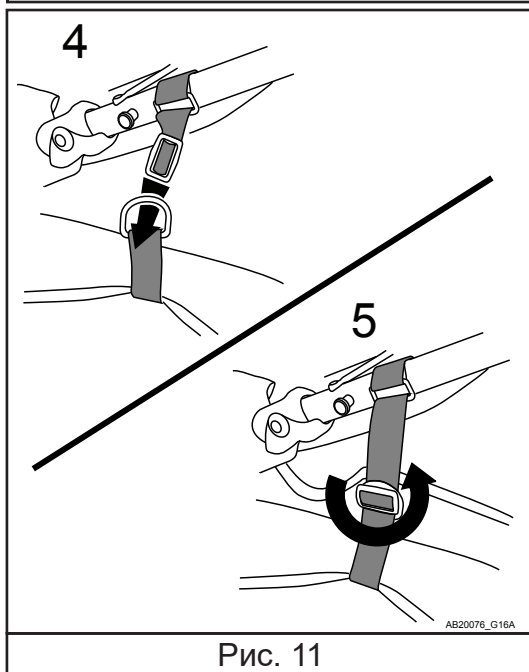


Рис. 11

⚠ ПРЕДУПРЕЖДЕНИЕ ⚠

Во избежание серьезных травм в результате падения или выскальзывания детей:

- **ВСЕГДА** пристегивайте каждого ребенка ремнями безопасности.
- Отрегулируйте длину ремней так, чтобы они плотно прилегали к телу каждого ребенка.
- **НИКОГДА** не оставляйте детей в коляске без присмотра, даже если они спят. Всегда держите детей в поле зрения.
- **НЕ** позволяйте детям взбираться на коляску или вставать на сиденье.

Фиксация ребенка в сиденье.

Расстегните ремни и посадите ребенка на сиденье коляски.

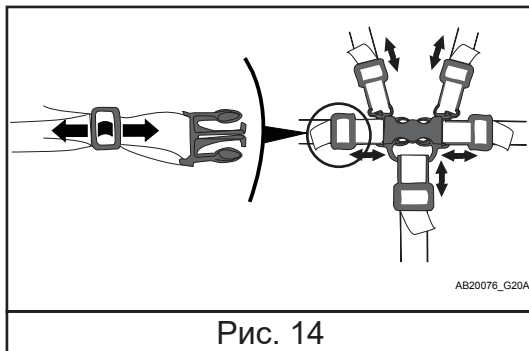
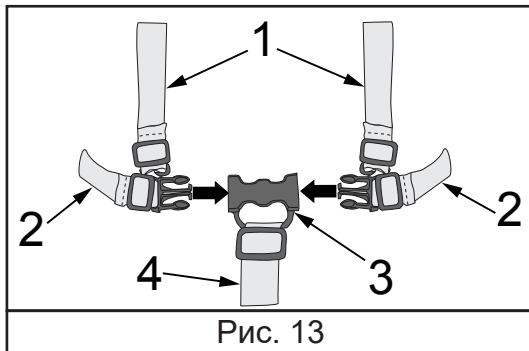
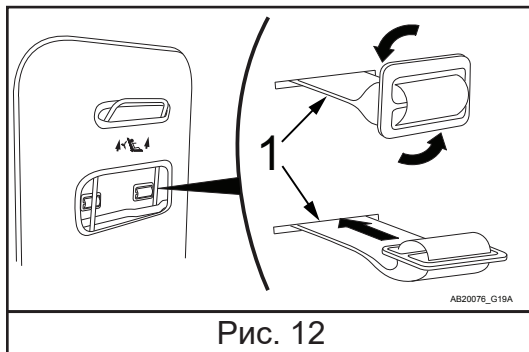
Плечевые ремни (1) должны быть отрегулированы в соответствии с ростом ребенка. Если нужно отрегулировать высоту ремней, поверните удерживающую ремень пряжку в горизонтальное положение и просуньте ее через отверстие в спинке сиденья. Затем переставьте пряжку на нужную высоту, просунув ее через отверстие с передней стороны спинки, и зафиксируйте пряжку, повернув ее так, чтобы она плотно прилегала плоской стороной к спинке сиденья.

См. рис. 12.

Пристегните ребенка ремнями, расположив разделительный ремень (4) с центральным фиксирующим замком (3) между ног ребенка. Расположите плечевые (1) и поясные (2) ремни на плечах и бедрах ребенка. Вставьте и защелкните пряжки ремней (1, 2) в центральный замок (3).

Отрегулируйте каждый из ремней, потянув за его свободный конец и перемещая пластмассовую пряжку вдоль ремня.

См. рис. 13 и 14.



Регулировка наклона спинки переднего и центрального сидений

Регулировка наклона переднего и центрального сидений.

Спинки сидений имеют 2 положения: вертикальное и откинутае. Для регулировки спинки сиденья потяните за рукоятку наклона, пока сиденье не разблокируется. Установите спинку в нужное положение и отпустите рукоятку. Затем обязательно убедитесь, что спинка надежно зафиксирована в этом положении. После регулировки положения сидений проверьте надежность крепления ремней безопасности.

См. рис. 15.

Примечание: чтобы сложить коляску, сиденья должны быть в вертикальном положении.

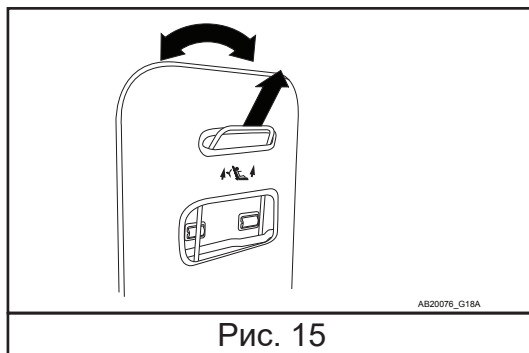


Рис. 15

Регулировка наклона спинки заднего сиденья

Регулировка наклона заднего сиденья.

Заднее сиденье имеет 2 положения в вертикальном положении и откидывается. Чтобы откинуть спинку сиденья, удерживайте сиденье в вертикальном положении и нажмите на язычки пряжки, чтобы освободить обе пряжки (1). Опустите спинку сиденья на место.

Чтобы поднять сиденье в вертикальное положение, поднимите спинку сиденья и соедините обе пряжки (1) вместе. Убедитесь, что пряжки полностью зафиксированы, прежде чем отпустить спинку сиденья.

См. рис. 16.

Примечание: чтобы сложить коляску, сиденья должны быть в вертикальном положении.

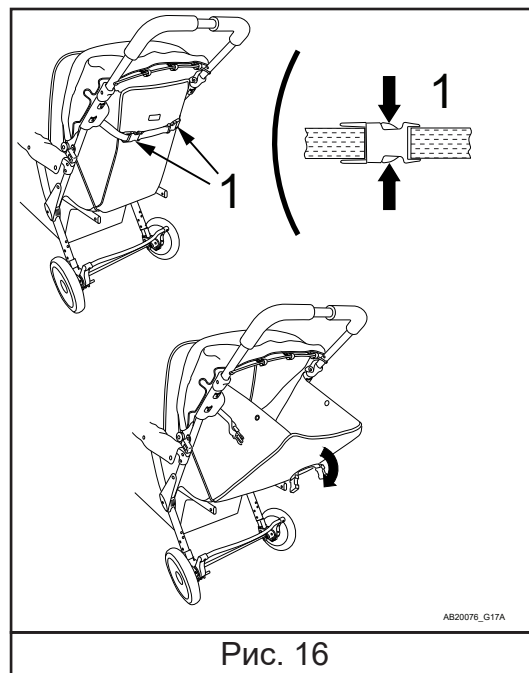


Рис. 16

⚠ ПРЕДУПРЕЖДЕНИЕ ⚠

- Используйте тормозное устройство каждый раз, когда останавливаете коляску, а также когда сажаете в коляску детей или вынимаете их из нее.

Блокировка тормозного устройства.

Нажмите на фиксатор тормозного устройства (1), расположенный на задних колесах и тормозном устройстве. Убедитесь, что колеса заблокированы.

Разблокировка тормозного устройства.

Удерживая коляску за ручку, заведите носок ступни под фиксатор тормоза и поднимите его.

См. рис. 17.

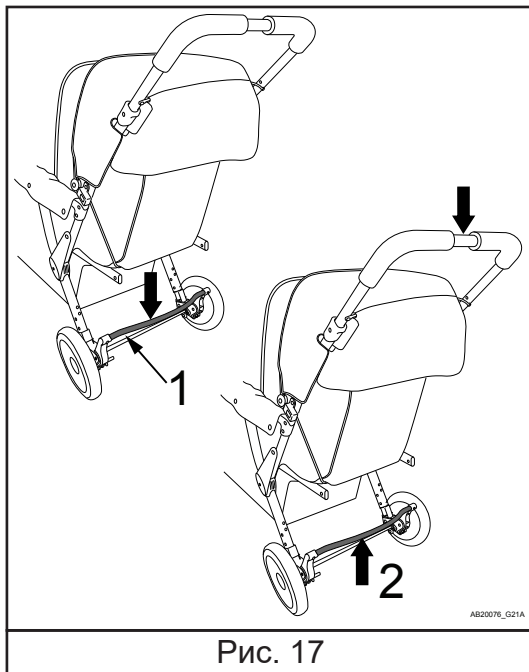


Рис. 17

Снятие и установка защитной перекладины

Указания по снятию и установке перекладины см. в разделе «Сборка коляски», этап 6.

Блокировка поворотного механизма передних колес

⚠ ПРЕДУПРЕЖДЕНИЕ ⚠

- При движении с коляской по неровной местности всегда используйте блокировку поворотного механизма передних колес.

Блокировка поворотного механизма передних колес

Блокировка поворотного механизма передних колес.

Передние колеса должны быть направлены прямо по ходу движения коляски. Блокирующее устройство поворотного механизма колес должно находиться в одной плоскости с направлением поворотного механизма на стойках рамы коляски.

Нажмите на выступающий рычаг блокирующего устройства поворотного механизма, пока он не зафиксируется.

Убедитесь, что передние колеса надежно заблокированы.

Выполните эти действия для обеих пар передних колес.

См. рис. 18.

Чтобы разблокировать колеса, полностью поднимите рычаги на обоих поворотных механизмах. Колеса должны свободно поворачиваться.

Выполните эти действия для обеих пар колес.

См. рис. 19.

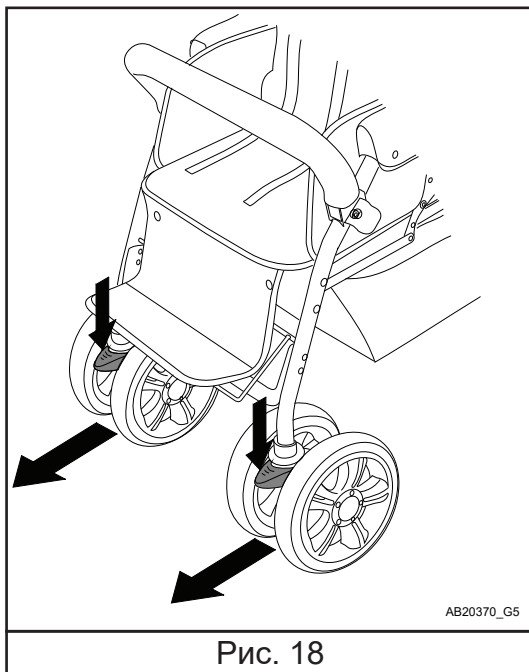


Рис. 18

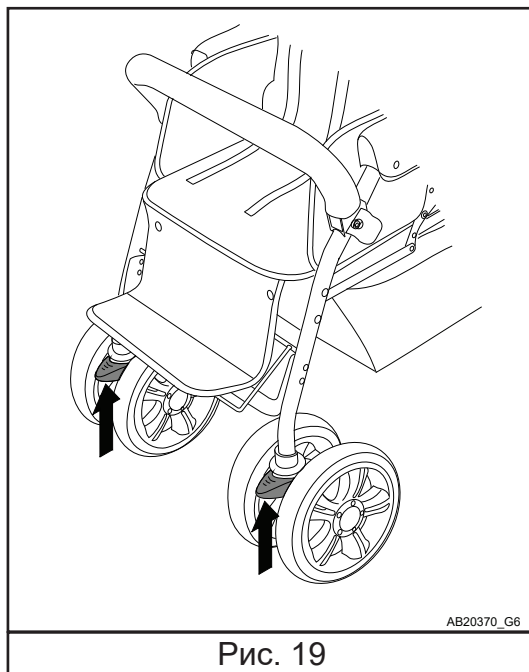


Рис. 19

Регулировка капюшонов

Регулировка капюшонов.

Передняя дуга каждого из капюшонов может выдвигаться вперед и сдвигаться назад.

См. рис. 20.

Указания по снятию и установке капюшонов см. в разделе «Сборка коляски», этапы 4 и 5.

Примечание: перед складыванием коляски капюшоны должны быть полностью сложены. Снимать их с коляски не требуется.

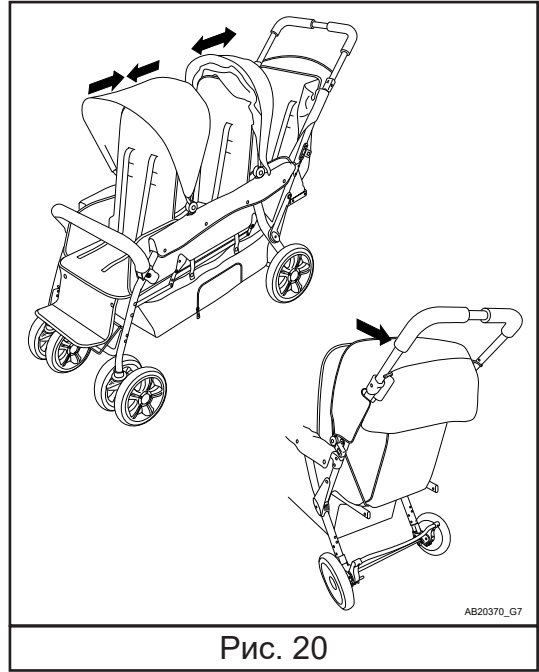


Рис. 20

Доступ к корзине для хранения вещей

Доступ к корзине для хранения вещей.

Для упрощения доступа к корзине для хранения вещей на ее боковой стороне предусмотрен клапан с замком-«молнией».

Запрещается перевозить в корзине коляски груз весом более 6,7 кг (15 фунтов).

См. рис. 21.

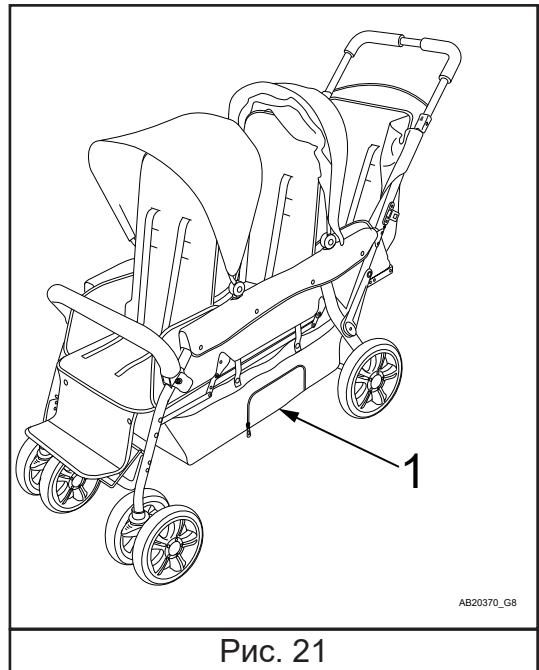


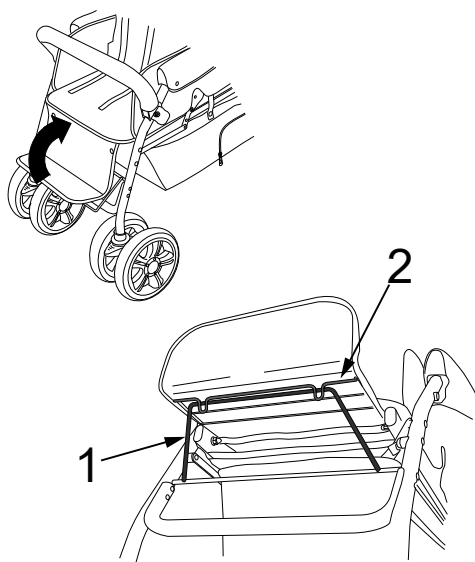
Рис. 21

Регулировка передней опоры для ног

Регулировка передней опоры для ног.

Поднимите опору для ног, пока она не окажется на одном уровне с сиденьем. Поднимите стопор опоры для ног, пока он не зайдет за выступы на опоре для ног.

Чтобы опустить опору для ног, слегка приподнимайте ее, пока стопор не выйдет из зацепления с выступами и не опустится.



AB20370_G9

Рис. 22

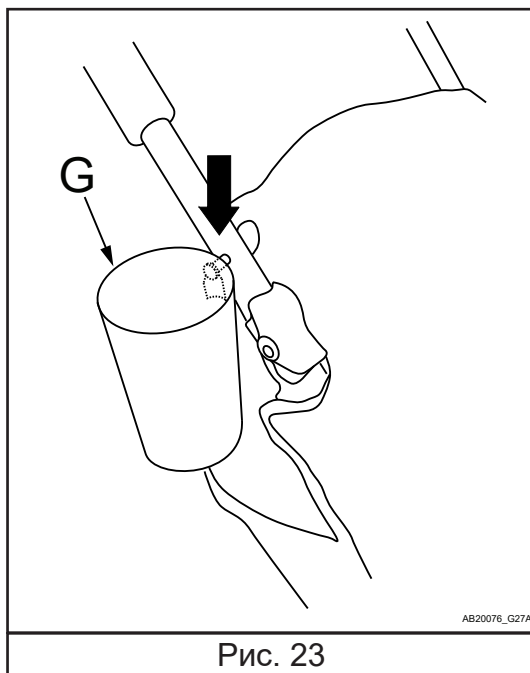
Подставка для кружки

Установка подставки для кружки.

Нажмите на подставку для кружки (G), чтобы надежно зафиксировать ее. Подставка для кружки имеет паз, за счет которого она крепится на выступающей кнопке на ручке коляски.

См. рис. 23.

- Используйте только Gaggle® или одобренные аксессуары для этого Бродяга.



AB20076_G27A

Рис. 23

Чистка сидений, ремней безопасности, подлокотников, защитной перекладины и капюшонов:

1. Мыть только поверхность слабым мыльным раствором.
2. Промыть водой, чтобы удалить мыльный раствор.

Чистка коляски:

1. Мыть поверхность рамы, пластмассовые детали и ткань коляски слабым мыльным раствором. Промыть поверхности водой, чтобы удалить мыльный раствор.
2. Вытереть насухо или дать высохнуть